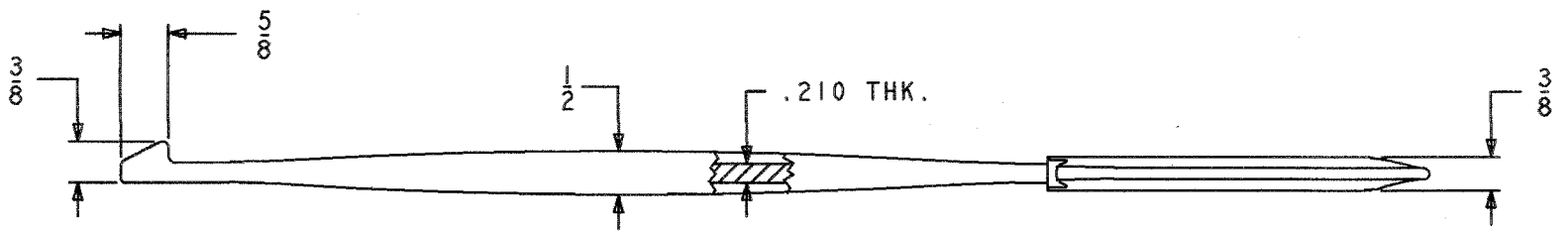
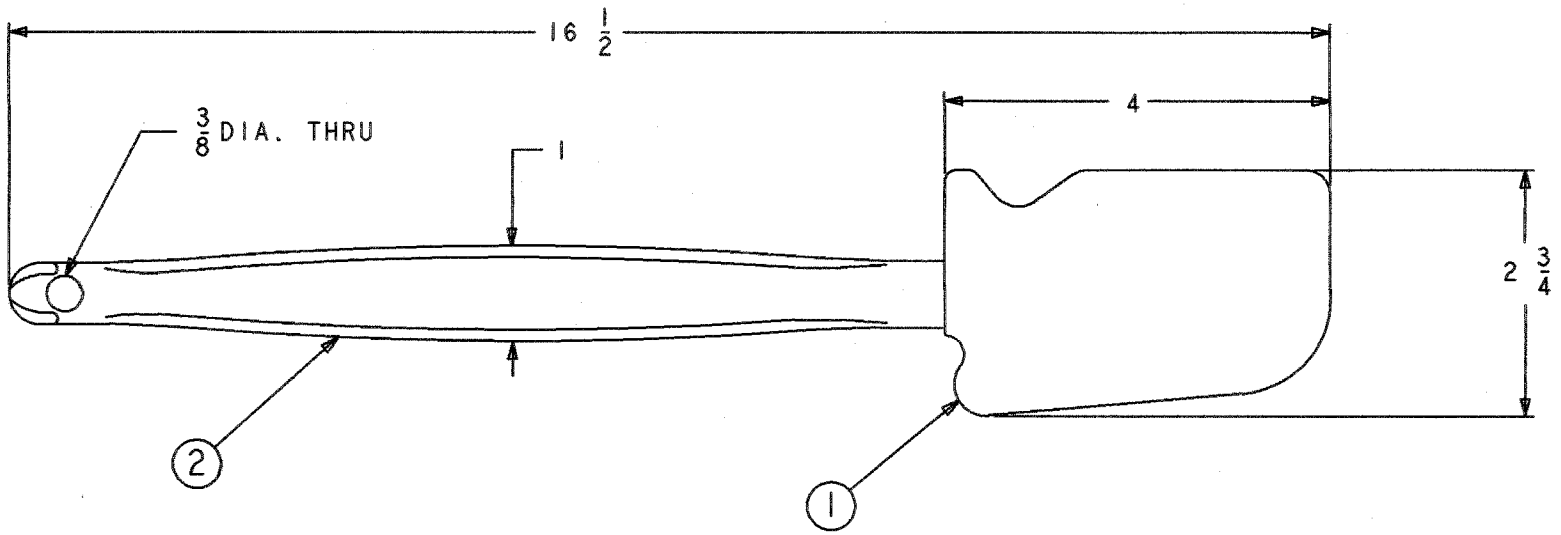


| No. | Description/Materials |
|-----|-----------------------|
| 1 | BLADE - SILICONE |
| 2 | HANDLE - NYLON |



total part wt. 4 OZS.

capacity _____

agency approvals NSF

miscellaneous _____

Product Specifications

Rubbermaid RUBBERMAID COMMERCIAL PRODUCTS INC.

product name HIGH HEAT SCRAPER

product no. 1964 revision 1

product no. 1964