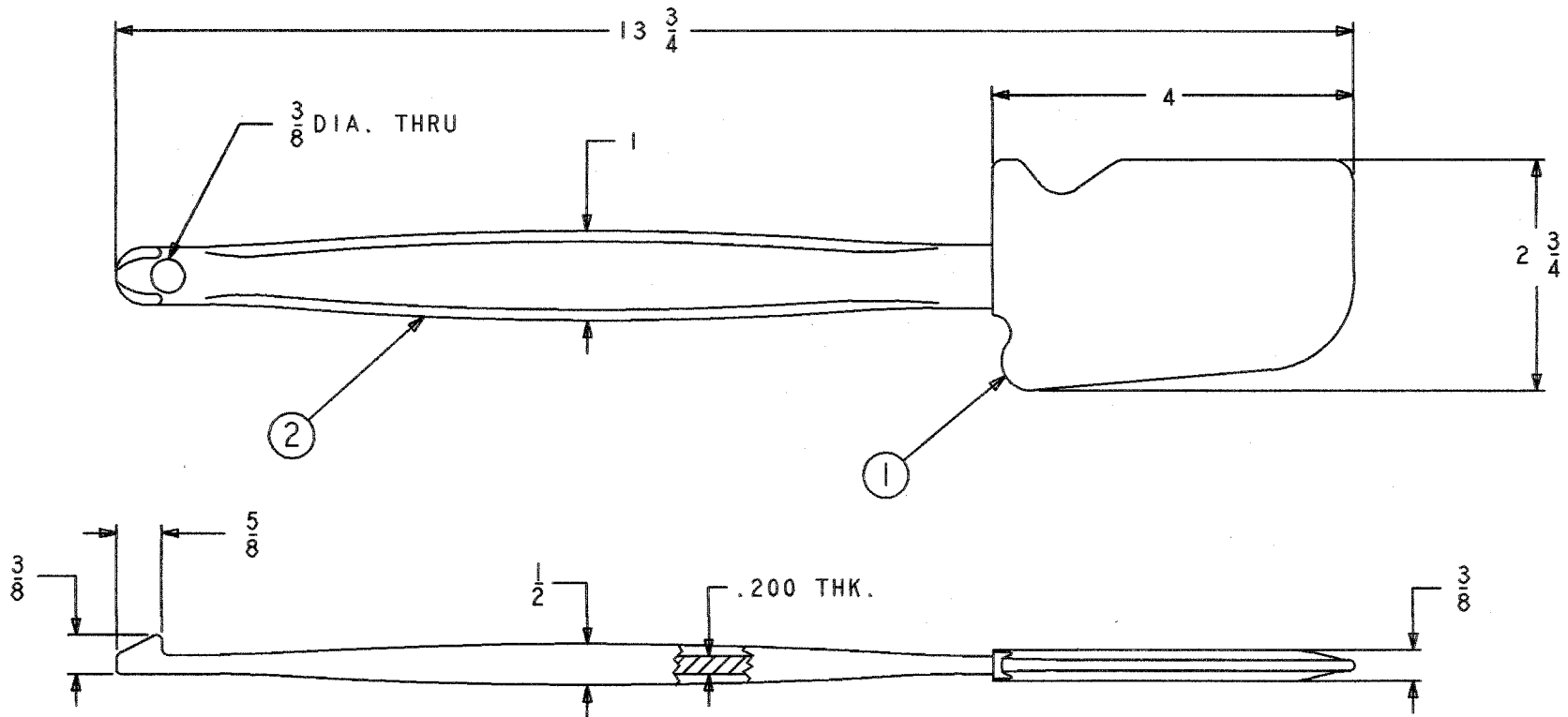


No.	Description/Materials
1	BLADE - SILICONE
2	HANDLE - NYLON



total part wt. 4 OZS.

capacity \_\_\_\_\_

\_\_\_\_\_

\_\_\_\_\_

agency approvals NSF

miscellaneous \_\_\_\_\_

\_\_\_\_\_

\_\_\_\_\_

Product Specifications

**Rubbermaid** RUBBERMAID COMMERCIAL PRODUCTS INC.

product name HIGH HEAT SCRAPER

product no. 1963 revision 1

product no. 1963