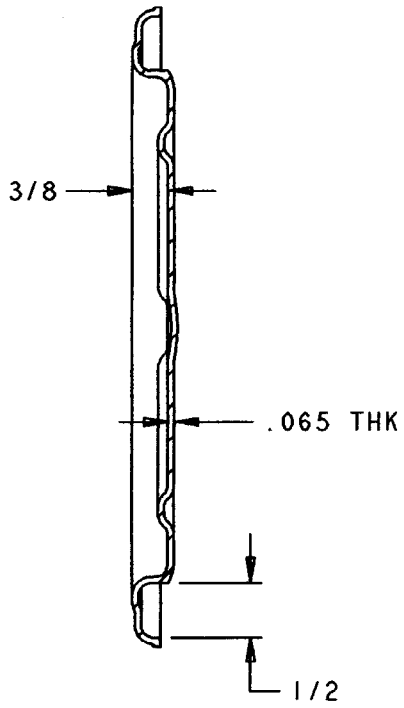
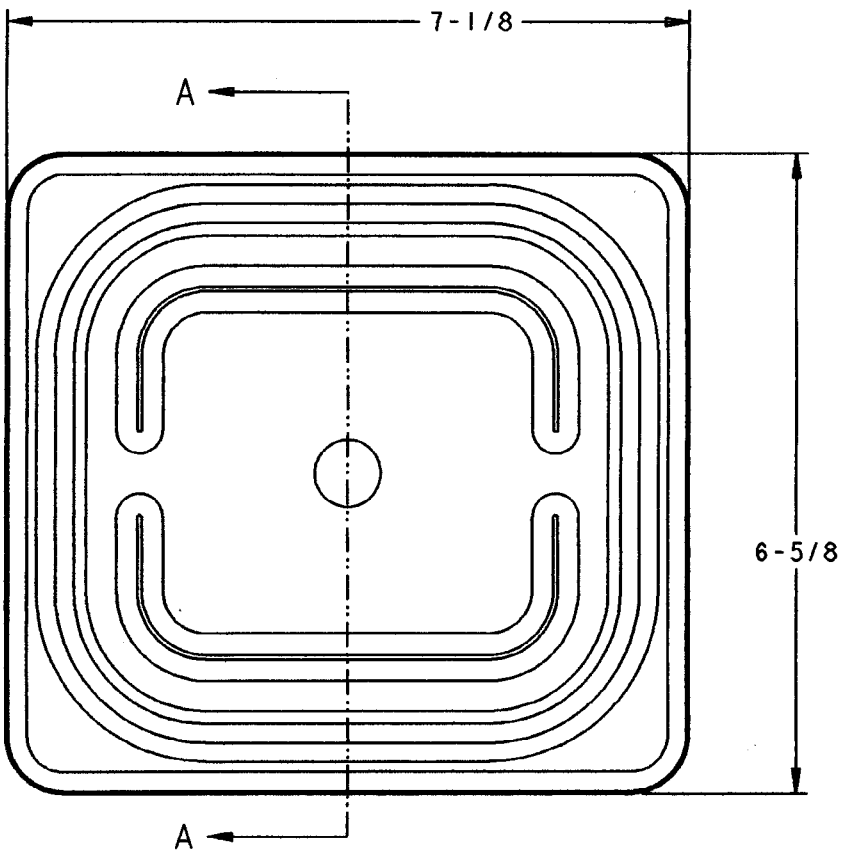
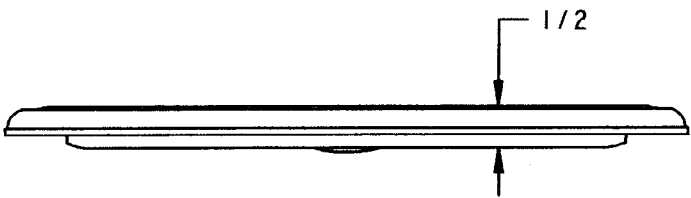


No.	Description/Materials
1	LID - PE



SECTION A-A



total part wt. 2 OZS

capacity \_\_\_\_\_

agency approvals NSF (PENDING)

miscellaneous \_\_\_\_\_

Product Specifications



product name 1/6 SIZE STORAGE LID

product no. 143P revision 0

product no. 143P