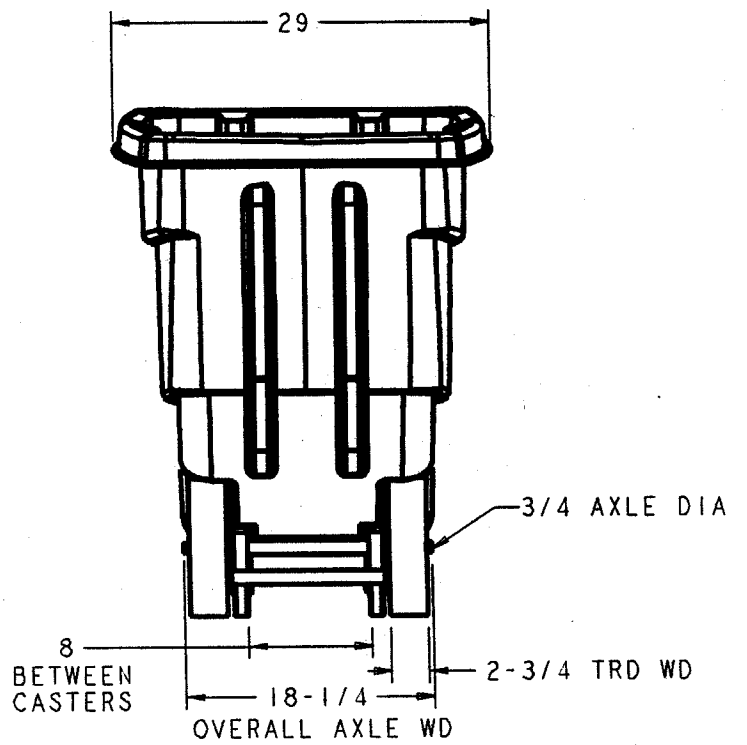
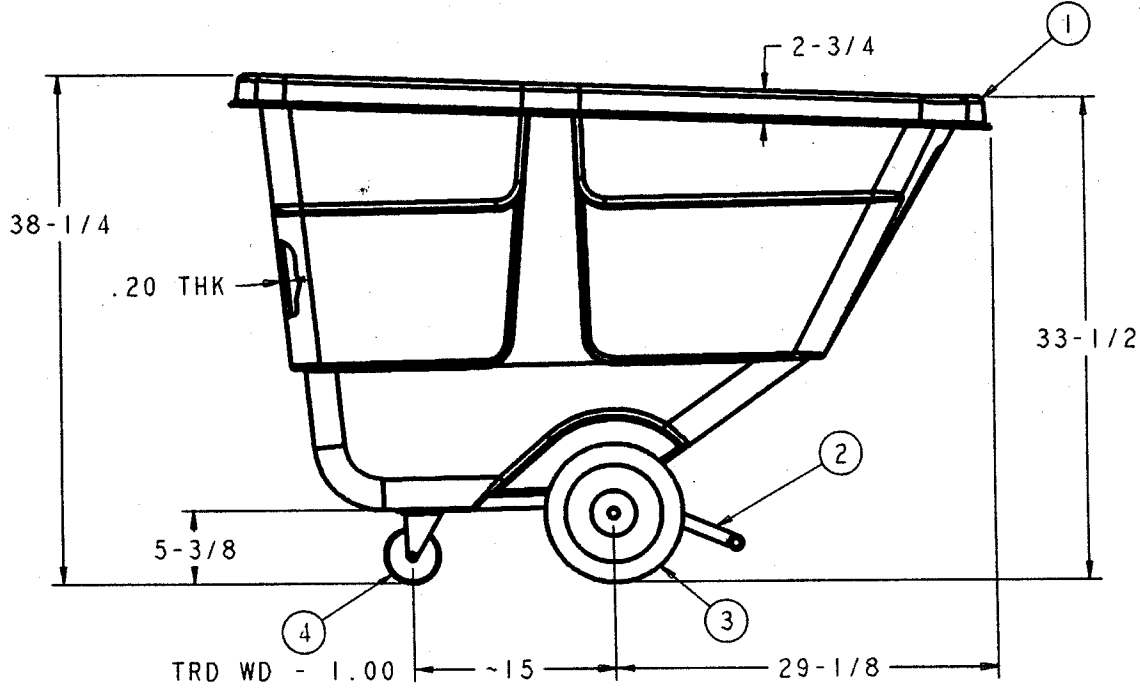
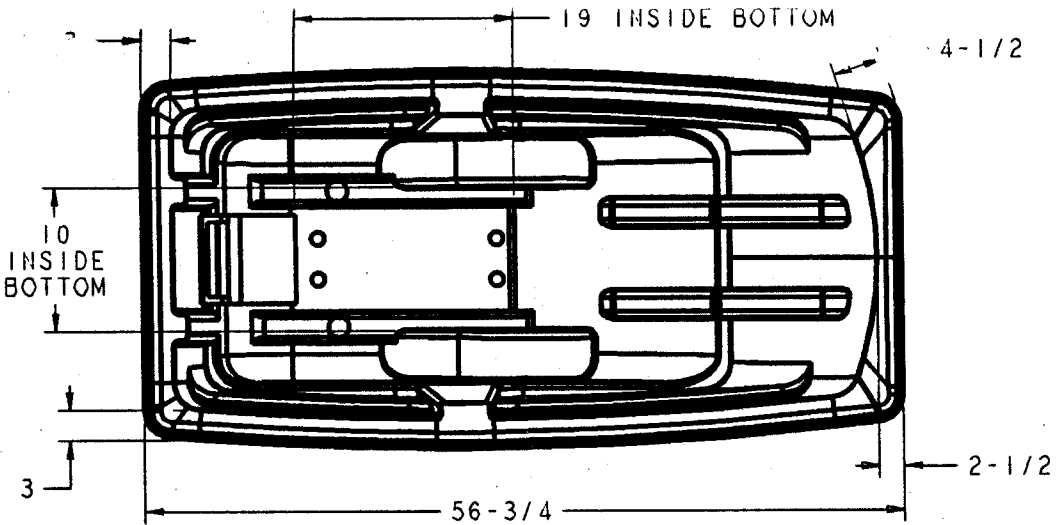
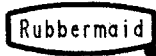


No.	Description/Materials
1	BODY - PE
2	FRAME - STL
3	10" DIA WHEEL - RBR/PE
4	4" DIA SWVL CSTR - STL/RBR



total part wt.	59 LBS
capacity	1/2 CU YD NOM
	300 LBS MAX LOAD
	94 GAL (357 LITERS)

agency approvals	_____
miscellaneous	BODY BOLTED TO FRAME
	2 CASTERS STD

Product Specifications	
 <small>RUBBERMAID COMMERCIAL PRODUCTS INC.</small>	
product name	UTILITY DUTY 1/2 CU YD ROTO TILT TRUCK
product no.	1304 revision 0

product no. 1304