



# Portable Micro-Flo

Project \_\_\_\_\_  
 Item \_\_\_\_\_  
 Quantity \_\_\_\_\_  
 CSI Section 11400 \_\_\_\_\_  
 Approval \_\_\_\_\_  
 Date \_\_\_\_\_

Portable Micro-Flo

## Models

- MF90U/80
- MF90AU/80

- MF90U/80LP
- MF90AU/80LP

- MF90U/110
- MF90AU/110



MF90AU/80 portable oil filter, 80 lbs. (40 L) shown with return hose

## Standard Features

- Gravity drain (U) or suction-type (AU)
- Stainless steel pan and pump housing
- Heavy-duty welded construction on casters
- Lid with opening for return hose
- 5 GPM steel gear pump with powerful 1/3 HP motor
- 5' (152 cm) return hose; AU models include nozzle screen
- Filter starter kit

## Options & Accessories

- See Dean Price List for filter paper and optional accessories

## Specifications

**Filter your cooking oil without straining your budget**

**Extend cooking oil life** - with a Dean heavy-duty portable oil filter. Regular filtration reduces oil costs and dramatically improves food flavor and consistency.

**Clean and polish your cooking oil** with Micro-Flo's special recycling process. By using filter paper and special acid-absorbing powder, the Micro-Flo portable filter removes foreign particles from micron-sized carbon deposits to solid food particles and fatty acids as often as necessary. The result is contaminant-free oil, which means a greater yield of high-quality, good-tasting foods.

**The powerful 5 GPM pump** automatically recycles the oil and returns it to your fryer. Risk of splashing hot oil is reduced by a return hose that reaches to the bottom of the fryer. Debris is trapped in the easy-to-clean paper filter within the filter pan.

**Select the filter size you need** - Dean portable oil filters are available in capacities

from 80-110 lbs. (40-55 L). For ease in filtering, all Dean filters will fit under the drain of all Dean fryers. Due to low pan height, the MF90U/80LP and MF90AU/80LP can fit under the drain of most fryers

**Flexibility** - Available in gravity drain (U) or suction type/reversible pump (AU) for filtering of countertop fryers.



ISO 9001:2000

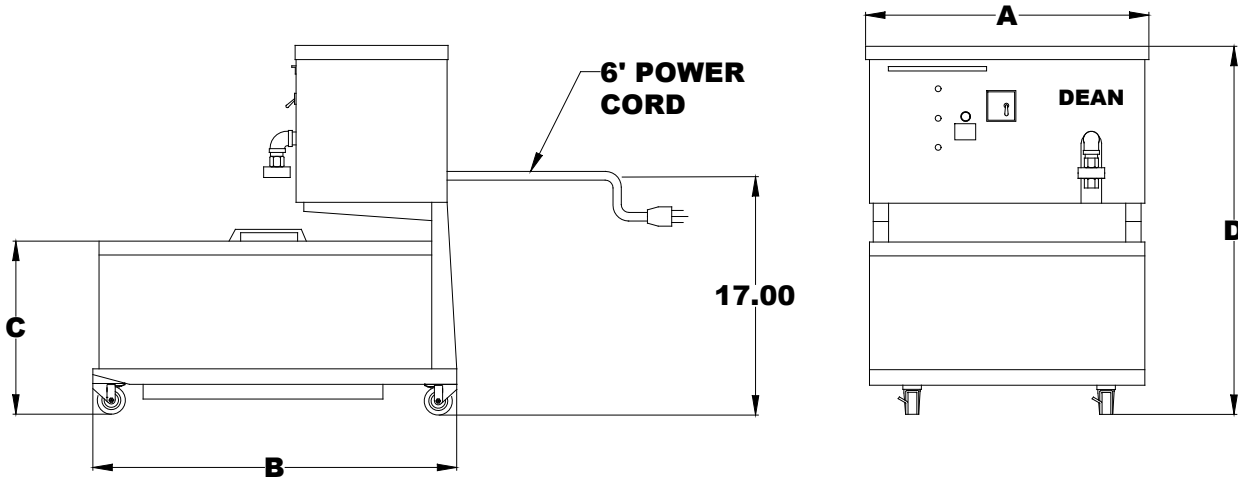


5489 Campus Drive  
Shreveport, LA 71129

Tel: 318-865-1711  
Tel: 1-800-221-4583  
Fax: 318-868-5987  
E-mail: [info@dean.enodis.com](mailto:info@dean.enodis.com)

<http://dean.enodis.com>  
Bulletin No. 830-0047 10/06

Enodis®



### DIMENSIONS

MODEL NO.	OIL CAPACITY	SIZE (CM)				SHIPPING lbs./cu. ft. (kg/m <sup>3</sup> )
		A WIDTH	B DEPTH	C TANK HT.	D OVERALL HEIGHT	
MF90U/80 MF90AU/80	80 lbs. max. (40 L)	18.25" (46)	24.75" (63)	11.25" (28)	24.12" (61)	120/8 (54/0,23)
MF90U/80LP MF90AU/80LP	80 lbs. max. (40 L)	18" (46)	34.75" (88)	9.63 (24)	24" (61)	147/8 (66/0,23)
MF90U/110 MF90AU/110	110 lbs. max. (55 L)	18.25 (46)	24.75" (63)	13.25" (33)	26.37" (67)	125/8 (56/0,23)

### POWER REQUIREMENTS

(All Models): 120V/60~/1Ø-6.2A

### ORDERING DATA

Please specify:  
Model number  
Gravity drain (U) or suction type (AU)

### SHORT TERM SPECIFICATION

Shall be DEAN portable Micro-Flo oil filter, Model \_\_\_\_\_.  
Only \_\_\_\_\_" wide and \_\_\_\_\_" deep, \_\_\_\_\_# oil capacity,  
requiring 120V/6.2A.