

Prince Castle Part Number 61 KETCH-ALL™



Model 61
(With 6 bottles)



Model 61



Model 61
(With #10 can)

Prince Castle's dispensers help any foodservice operation save time and money. Designed to dispense ketchup, the model 61 is great for virtually any pourable sauce.

Whether you purchase ketchup in bottles or #10 cans, the Ketch-All™ dispenser makes sure you get every drop you paid for. The clog-free valve makes filling glass or plastic bottles easy.

STANDARD FEATURES

- For easy no-mess dispensing.
- Holds the contents of two #10 cans (or six bottles) at one time.
- Clog-free valve.
- Plastic top keeps stored contents fresh.
- Legs detach for easy storage.
- U.S.D.A. approved polypropylene container is machine washable.
- Virtually eliminates spills.
- Saves between four and five bottles of ketchup per case of 24.

61-0714

Prince Castle Part Number 61 KETCH-ALL™



SPECIFICATIONS

DIMENSIONS

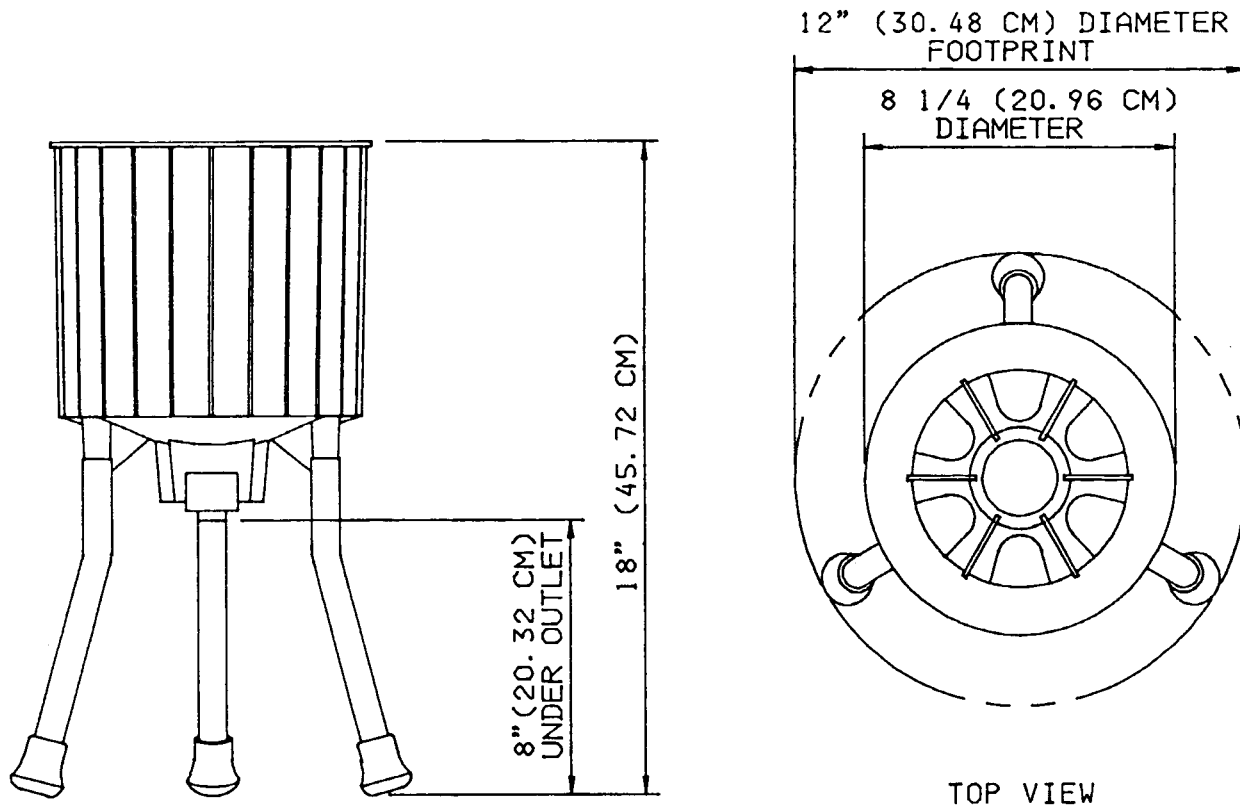
MODEL NUMBER	DIAMETER IN. (CM)	HEIGHT IN. (CM)	SHIPPING WT. LB. (KG.)
61	12 (30.48)	18 (45.72)	3 (1.4)

ORDERING INFORMATION

MODEL	DESCRIPTION
61	Ketch-All® Ketchup Collector/Dispenser

KETCH-ALL™

Prince Castle Part Number 61



*Designs and specifications are subject to change without notice.

