



# Condiment/Topping Server Solution™ Pumps

Models **PS-10**  
**PS-G**

Date:

Project:

Quantity:

Item Number:



**PS-10 #82020**



**PS-G 110 #83090**



## Bid Description

Server Solution™ pumps are designed to dispense a wide range of products from syrups to most relishes simply by choosing from the three discharge fittings (included). The polycarbonate pump parts are dishwasher safe and replaceable. Maximum stroke yields 1-ounce (30 mL) with gauging collars supplied to reduce yield in ¼-ounce (7 mL) increments. Stainless steel jars and gallon plastic jars are not included.

The PS-10 is designed to pump directly from a manufacturer's #10 can or Stainless Steel Jar #94009. Includes polycarbonate pump and stainless steel lid.

Each of the PS-G pumps are designed to pump directly from a manufacturer's 1-gallon (3.8 L) jar. Includes polycarbonate pump and ABS plastic lid.

## Standard Features

Durable polycarbonate construction

Dishwasher safe for easy clean up

Pump a wide range of products from syrups to relish

Maximum stroke yields 1-ounce (30 mL)

Easy-to-adjust portion control in ¼-ounce (7 mL) increments

Three discharge fittings to accommodate various food products

Two cleaning brushes included for pump maintenance

## Server Solution™ Pump Accessories

Stainless Steel Jar #94009

Spout-side cleaning brush #85317

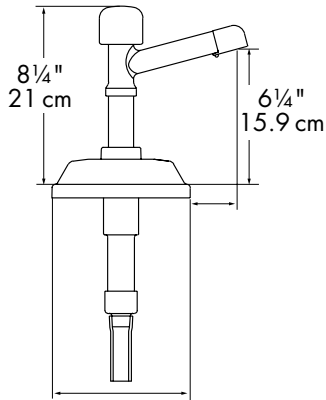
Cylinder-side cleaning brush #85318

## Warranty

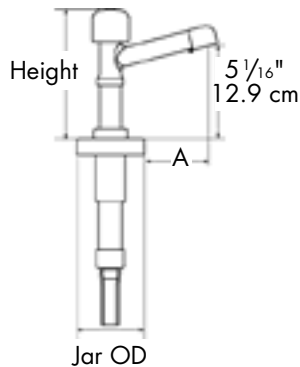
Server Products equipment is backed by a two-year limited warranty against defects in materials and workmanship. For our complete warranty statement, see our Website or contact us.

Specifications on reverse side

## #10 Can/Stainless Steel Jar Pump— PS-10



## Gallon Jar Pump—PS-G 89, PS-G 110 and PS-G 120



## Specifications

<b>Model</b>	<b>PS-10 #82020</b>			
<b>Construction</b>	Durable Polycarbonate, pump parts with stainless steel lid. Fits a #10 can or Stainless Steel Jar #94009.			
<b>Capacity</b>	3-quart (2.8 L) capacity			
<b>Dimensions (above jar)</b>		<u>Height</u>	<u>Lid Dia.</u>	<u>Dim. A</u>
	in	8 1/4	6 3/8	2 3/16
	cm	21	16.2	5.6
<b>Ship Weight</b>	3 lb (1.4 kg)			
<b>Models</b>	<b>PS-G 89 #83030</b>	<b>PS-G 110 #83090</b>	<b>PS-G 120 #83180</b>	
<b>Height (above jar)</b>	in 7 1/8	in 7 1/8	in 7 1/8	
	cm 18.1	cm 18.1	cm 18.1	
<b>Fits Jar OD</b>	in 3 1/2	in 4 3/8	in 4 3/4	
	cm 8.9	cm 11.1	cm 12.1	
<b>Dim. A</b>	in 3 1/2	in 3 1/8	in 2 15/16	
	cm 8.7	cm 7.9	cm 7.5	
<b>Construction</b>	Durable Polycarbonate, pump parts with ABS plastic lid. Fits over manufacturer's gallon jar.			
<b>Capacity</b>	1-gallon (3.8 L)			
<b>Ship Weight</b>	3 lb (1.4 kg)			

FOB Richfield, Wisconsin 53076

## CAD Library

We are a member of The KCL CADalog with more than 100 other manufacturers. Our CAD files can be purchased through Kochman Consultants, Ltd. at 847-470-1195, or e-mail sales@kclcad.com. Their website is at www.kclcad.com.