



# TOPPING STATIONS {WHIPPED SOLUTIONS} RICH'S® TOPPING TUNNEL™

Model TT

Date:

Project:

Quantity:

Item Number:



**TT 86624**



Patent Pending



**Warranty**

Server Products equipment is backed by a two-year limited warranty against defects in materials and workmanship. For our complete warranty statement, see our web site or contact us.

## Bid Description

Server Products, together with Rich Products Corporation, a leader in whipped topping, have collaborated to bring you convenient dispensing options which meet your operational needs.

The Topping Tunnel™ is a handy holder and dispenser for specified Rich's® Whipped Topping products (see back for list). Each Topping Tunnel™ is NSF listed and readily adapts to a wide variety of foodservice equipment. Simply place the Rich's® pastry bag into the dispensing unit (tip down), give a gentle squeeze and you're ready to dollop a wide variety of food items quickly and safely. When you're done dolloping, the Topping Tunnel™ quickly detaches from the bracket for cleaning.

## Standard Features

Accommodates specified Rich's® Whipped Topping products

Patent pending design permits single-handed dispensing

Achieves superior evacuation of the pastry bag

Topping Tunnel™ removes easily from mounting bracket for quick clean-up

Mounting bracket is secured with heavy duty suction cups for effortless installation and removal when cleaning

Dishwasher safe

## Studies Show

Operators that offered cold and frozen beverages with Whipped Topping grew servings over 79% the past five years!

*Source: NPD Food World CREST — 52 Weeks ending July 2006*

Operators that offered hot beverages with Whipped Topping grew servings over 52% in the past five years!

*Source: NPD Food World CREST — 52 Weeks ending July 2006*

Rich's® On Top® Whipped Topping significantly outperformed all other topping alternatives in overall consumer liking scores for visual appearance!

*Source: Rich's® Proprietary Research 2007*

When garnished with 1-oz (7 mL) of Rich's® On Top® Whipped Topping; consumers were willing to pay an average of \$1.10 more for a milkshake and \$1.50 more for a hot chocolate!

*Source: Ignite Communications 2006*

Specifications on reverse side

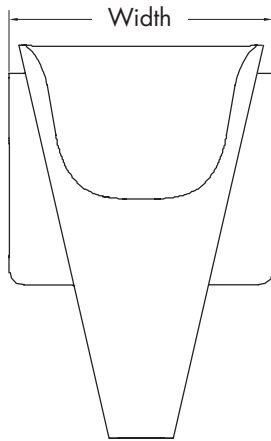
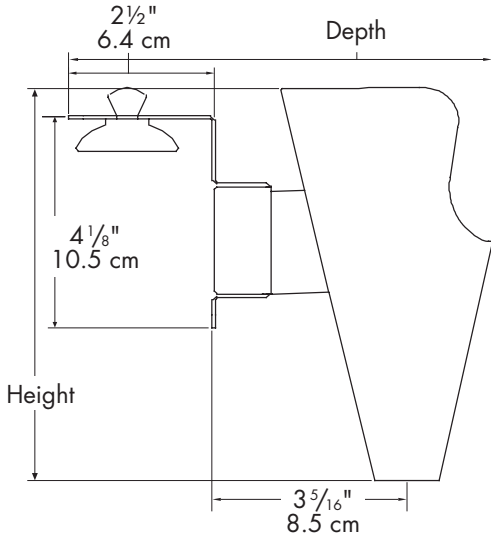


**Model TT**

# TOPPING STATIONS {WHIPPED SOLUTIONS}

## RICH'S® TOPPING TUNNEL™

**Topping Tunnel™**  
**TT 86624**



**Specifications**

<b>Model</b>	<b>TT 86624</b>		
<b>Construction</b>	Stainless steel mounting bracket, ABS/Poly blend Topping Tunnel™ & rubber suction cups.		
<b>Capacity</b>	Up to 16 oz (454 g) Rich's® Whipped Topping		
<b>Dimensions</b>	<u>Height</u>	<u>Width</u>	<u>Depth</u>
	in 7 <sup>5</sup> / <sub>8</sub>	4 <sup>1</sup> / <sub>2</sub>	7 <sup>1</sup> / <sub>4</sub>
	cm 19.4	11.4	18.4
<b>Weight</b>	2 lb (.9 kg)		

**RICH'S® Pre-Whipped Topping Products**

Contact your Rich's® representative, to purchase Whipped Topping products for the Topping Tunnel™. Now with Rich's® patent pending D-Disc™, for easier handling.

**NOTE:** Be sure to refrigerate your Rich's® On Top® and Niagara Farms® Whipped Topping, when not in use.

PC#62567	On Top® Vanilla	(15) 8 oz (227G)
PC#02559	On Top® Vanilla	(12) 16 oz (454G)
PC#01855	On Top® Chocolate	(10) 16 oz (454G)
PC#02090	Sugar-Free On Top® Vanilla	(12) 16 oz (454G)
PC#59612	Niagara Farms®	(12) 16 oz (454G)
PC#02897	Niagara Farms®	(15) 8 oz (227G)

*Topping Tunnel is a trademark owned by Rich Products Corporation.*

FOB Richfield, Wisconsin 53076

**CAD Library**

Individual CAD images can be downloaded from product pages on our web site. We are also a member of The KCL CADalog with more than 100 other manufacturers. Our complete collection of CAD files can be purchased through Kochman Consultants, Ltd. at [kclcad.com](http://kclcad.com).

