



Topping Equipment Supreme™ Hot Topping

Models FS-SS
FSP-SS
FSPW-SS
FSPWI-SS

Date:

Project:

Quantity:

Item Number:



FSPW-SS #81140-FDGE



FS-SS #86500-CARM



ALSO AVAILABLE
FOR EXPORT



Warranty

Server Products equipment is backed by a two-year limited warranty against defects in materials and workmanship. For a copy of our complete warranty statement, see our Web site or contact us.

Bid Description

Supreme™ hot topping servers feature rounded corners and are constructed of brushed (#4) stainless steel bodies with black thermoset plastic bottom and top. Each dispense directly from a 3-quart (2.8 L) stainless steel jar (not included). Pumps feature a cast valve body and welded construction. Maximum stroke yields 1-ounce (30 mL). Gauging collars are supplied to reduce the yield in ¼-ounce (7 mL) increments.

An adjustable, precalibrated thermostat controls the heating element. Each feature a "Power On" light and water fill line. To include a magnetic merchandising sign, add the suffix FDGE for Fudge, CARM for caramel.

The FSPW-SS is designed with pump and spout warmer opposite the instrument panel side. FSPWI-SS has spout warmer on the instrument panel side. Each has 515 watts.

FSP-SS includes pump without spout warmer. FS-SS includes 1-ounce (30-mL) ladle. Each has 500 watts.

Standard Features

Pump design prevents loss of valve balls

Maximum pump stroke yields 1-ounce (30 mL) with portion control in ¼-ounce (7 mL) increments

Adjustable, precalibrated thermostat for accurate heat control

Temperature marks on knob with protective knob guard

Water fill line eliminates overflow accidents

Accepts magnetic sign for versatile merchandising

Two cleaning brushes included for pump maintenance

Hot Topping Equipment Accessories

- 3-quart (2.8 L) Stainless Steel Jar #94009
- Stainless Steel Jar, Storage Lid #94008
- Magnetic Sign, Fudge #86788
- Magnetic Sign, Caramel #86789
- 1-ounce (30 mL) 10" (25.4 cm) Ladle #82561

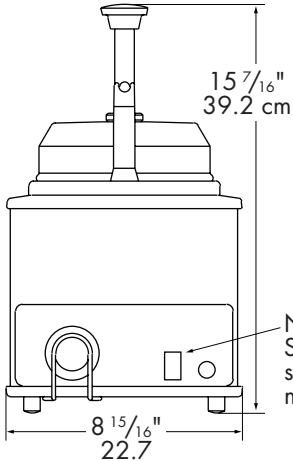
Specifications on reverse side



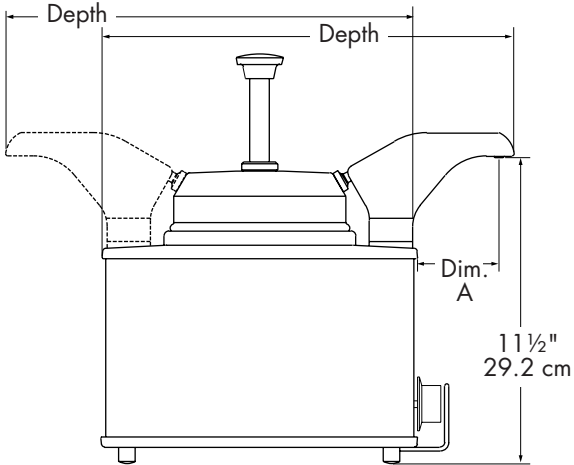
Topping Equipment Supreme™ Hot Topping

Models FS-SS
FSP-SS
FSPW-SS
FSPWI-SS

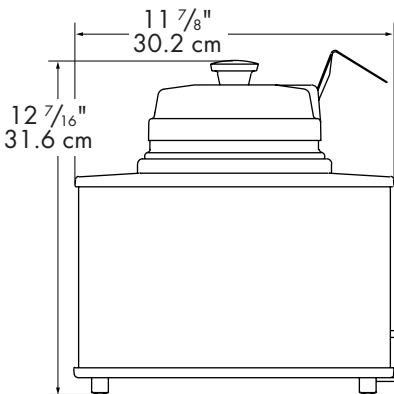
Supreme™ Fudge Server with Spout Warmer and Pump



Note: Switch on spout warmer models only.



Supreme™ Fudge Server with Ladle



Specifications

Construction	Stainless steel base with black thermoset plastic bottom and top. Pumps feature a rugged cast valve body and welded construction.
Capacity	Stainless steel jar or #10 can holds 3-quarts (2.8 L) (not included).
Electrical	120V, 60Hz, 72 in (183 cm) cord set NEMA 5-15P, 15A, 125V PLUG

Models	FSPW-SS #81140	FSPWI-SS #80140	FSP-SS #86510
Height	in 15 7/16 cm 39.2	in 15 7/16 cm 39.2	in 15 7/16 cm 39.2
Width	in 8 15/16 cm 22.7	in 8 15/16 cm 22.7	in 8 15/16 cm 22.7
Depth	in 15 1/2 cm 39.4	in 15 1/2 cm 39.4	in 15 1/8 cm 38.4
Dim. A	in 3 1/16 cm 7.8	in 3 1/16 cm 7.8	in 3 1/16 cm 7.8
Weight	15 lb 6.8 kg	15 lb 6.8 kg	14 lb 6.4 kg
Electrical	515 watts 4.3 amps	515 watts 4.3 amps	500 watts 4.2 amps

Model FS-SS #86500

Construction	Includes a 1-ounce (30 mL) ladle—no pump.		
Dimensions	Height	Width	Depth
	in 12 7/16 cm 31.6	in 8 15/16 cm 22.7	in 11 7/8 cm 30.2
Electrical	120V, 60Hz, 500W, 4.2A		
Weight	13 lb (5.9 kg)		

FOB Richfield, Wisconsin 53076

CAD Library

We are a member of The KCL CADalog with more than 100 other manufacturers. Our CAD files can be purchased through Kochman Consultants, Ltd. at 847-470-1195, or e-mail sales@kclcad.com. Their Web site is at www.kclcad.com.

