



# Food Warmers Kettle Server

Model KS

Date:

Project:

Quantity:

Item Number:



**KS #84300**



ALSO AVAILABLE FOR EXPORT

NSF-certified as a rethermalization unit



## Warranty

Server Products equipment is backed by a two-year limited warranty against defects in materials and workmanship. For a copy of our complete warranty statement, see our Website or contact us.

## Bid Description

The water bath warmer/cooker in a traditional kettle shape is constructed of spun aluminum with a durable epoxy coating. Water vessel and hinged lid are stainless steel. Lid stays upright during ladling and features a rim that collects moisture and returns it to the food. Includes exclusive 11-quart (10.4 L) stainless steel inset and a write-on magnetic flavor card with wipe-off marker. Unit also accepts an exclusive 7-quart (6.6 L) inset; not included. Choose from black or copper colored models.

The precalibrated positive off thermostat controls a 1500 watt heating element. Temperature settings—marked on thermostat knob—range from 60° F (16° C) to 200° F (93° C). A green indicator light confirms unit has reached set temperature when unlit.

The Kettle Server will heat frozen product to serving temperature and is NSF-certified as a rethermalization unit.

## Standard Features

- Spun aluminum shroud with stainless steel vessels for durability
- Also accepts an exclusive 7-quart (6.6 L) stainless steel inset
- Adjustable precalibrated thermostat for accurate heat control
- Temperature marks on knob with protective knob guard
- Hinged lid stays upright during ladling for easy customer use
- Lid rim returns moisture to the food to retain flavor
- Side handle assists in opening lid ergonomically
- New write-on wipe-off flavor card for flexibility
- Feet are slip resistant for added stability

## Kettle Server Accessories

- 11-quart (10.4 L) Kettle Server Inset #84437
- 7-quart (6.6 L) Kettle Server Inset #84462
- 2-ounce (59 mL) Ladle #82660
- 4-ounce (118 mL) Ladle #82574
- 6-ounce (177 mL) Ladle #82661
- 8-ounce (237 mL) Ladle #82662

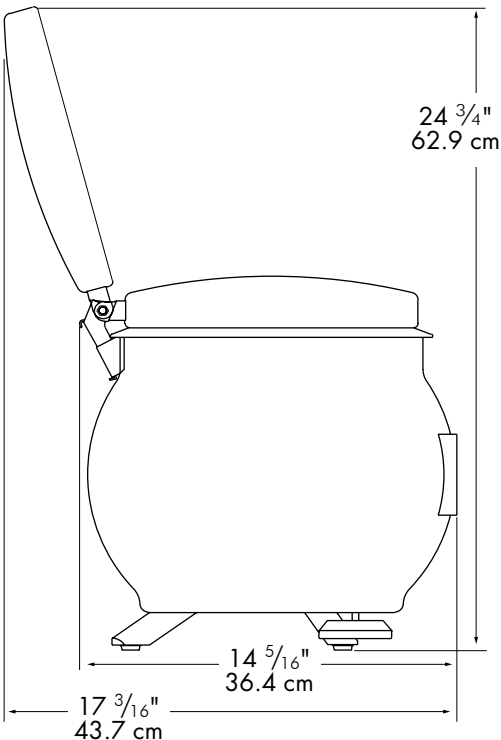
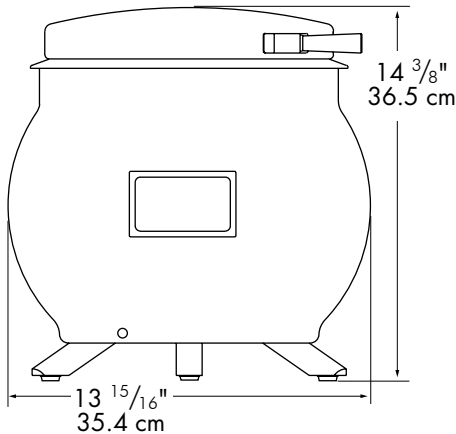
Specifications on reverse side



# Food Warmers Kettle Server

Model KS

## Kettle Server KS #84300



## Specifications

<b>Model</b>	<b>KS #84300</b>		
<b>Construction</b>	Spun aluminum with a durable epoxy coating. Water vessel, 11-quart (10.4 L) inset and lid are stainless steel.		
<b>Capacity</b>	Vegetable inset holds 11-quarts (10.4 L).		
<b>Dimensions</b>	<u>Height</u>	<u>Width</u>	<u>Depth</u>
	in 14 <sup>3</sup> / <sub>8</sub>	13 <sup>15</sup> / <sub>16</sub>	14 <sup>5</sup> / <sub>16</sub>
	cm 36.5	35.4	36.4
	Height with lid open: 24 <sup>3</sup> / <sub>4</sub> in (62.9 cm)		
<b>Electrical</b>	120V, 60Hz, 1500W, 12.5A 72 in (183 cm) cord set NEMA 5-15P, 15A, 125V PLUG		
<b>Ship Weight</b>	21 lb (9.5 kg)		
<b>Options</b>	Kettle Server KS #85740 is the copper colored version of the KS #84300 unit.  Kettle Server KS #84290. Same as Kettle Server KS #84300 described above, except includes an exclusive 7-quart (6.6 L) inset. KS #85760 is the copper colored version of this unit. Ship weight is 20 lb (9.1 kg).		

FOB Richfield, Wisconsin 53076

## CAD Library

We are a member of The KCL CADalog with more than 100 other manufacturers. Our CAD files can be purchased through Kochman Consultants, Ltd. at 847-470-1195 or e-mail sales@kclcad.com. Their Website is at www.kclcad.com.

