



# FOOD WARMERS {FOOD SERVERS} SINGLE WELL

Models FS-4 FS-7, FS-11

Date:

Project:

Quantity:

Item Number:



**FS-4 81000**

## Bid Description

The round series of water bath warmer/cookers is constructed of stainless steel with a polished finish. Inset and lid assemblies are included. The lid stays upright during ladling and features a rim that collects moisture and returns it to the food.

An adjustable precalibrated thermostat controls the heating element. Temperature settings marked on thermostat knob—range from 100° F (38° C) to 200° F (93° C) on FS-4. FS-7 and FS-11 range from 60° F (16° C) to 200° F (93° C).

FS-4 has a 4 quart (3.8 L) capacity with 500 watts. Power is controlled with an ON/OFF rocker switch.

FS-7 has a 7 quart (6.6 L) capacity with 1000 watts. FS-11 has an 11 quart (10.4) capacity with 1500 watts. Power is controlled with a positive off/on thermostat for both the FS-7 and FS-11.



**FS-11 84100**

## Standard Features

- Water fill line eliminates overflow accidents
- Adjustable precalibrated thermostat for accurate heat control
- Temperature marks on knob with protective knob guard
- Inside lid rim returns moisture to the food to retain flavor
- Hinged lid stays upright during ladling for easy customer use
- Handle on FS-7 and FS-11 assists in opening larger lids ergonomically—no more reaching

## Food Server/Cooker Accessories

- 4 qt (3.8 L) Inset & Lid Assembly 81050
- 7 qt (6.6 L) Inset & Lid Assembly 84040
- 11 qt (10.4 L) Inset & Lid Assembly 84149
- 2 oz (59 mL) Ladle 82660
- 4 oz (118 mL) Ladle 82574
- 6 oz (177 mL) Ladle 82661
- 8 oz (237 mL) Ladle 82662



NSF-certified as a rethermalization unit



## Warranty

Server Products equipment is backed by a two-year limited warranty against defects in materials and workmanship. For a copy of our complete warranty statement, see our web site or contact us.

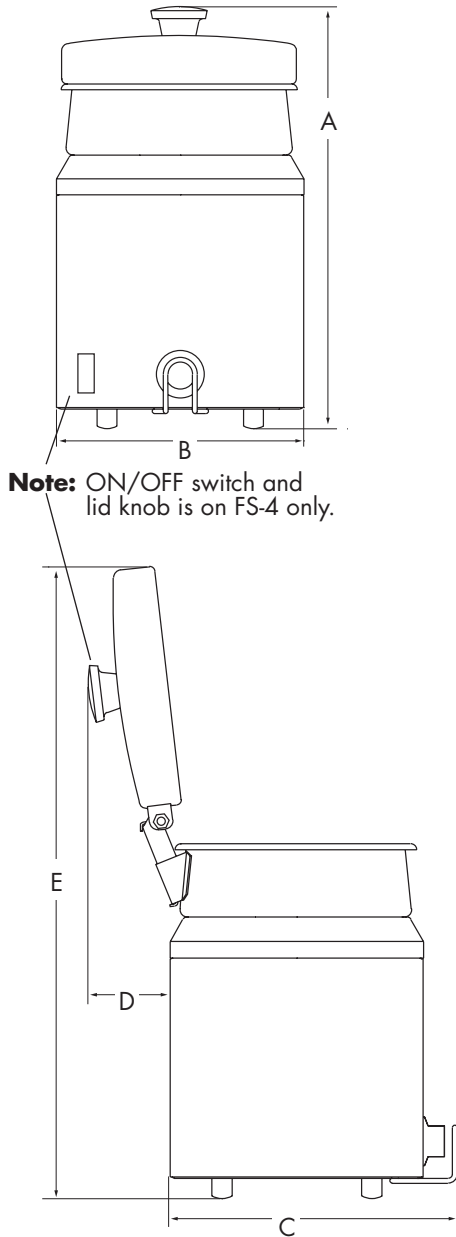
Specifications on reverse side



# FOOD WARMERS {FOOD SERVERS} SINGLE WELL

Models FS-4,  
FS-7, FS-11

## Food Server/Cooker Series



## Specifications

Construction	Stainless steel units with a polished finish. Includes exclusive inset and lid assembly.		
Electrical	120V, 60Hz, 72" (183 cm) cord set NEMA 5-15P, 15A, 125V PLUG		
Models	FS-4 81000	FS-7 84000	FS-11 84100
Capacity qt	4	7	11
L	3.8	6.6	10.4
A-Height in	13 <sup>5</sup> / <sub>16</sub>	14 <sup>3</sup> / <sub>16</sub>	14 <sup>1</sup> / <sub>4</sub>
cm	33.8	36	36.1
B-Width in	7 <sup>3</sup> / <sub>4</sub>	9 <sup>9</sup> / <sub>16</sub>	11 <sup>9</sup> / <sub>16</sub>
cm	19.7	24.3	29.4
C-Depth in	8 <sup>13</sup> / <sub>16</sub>	11	13
cm	22.4	27.9	33
D-Depth in	2 <sup>1</sup> / <sub>2</sub>	2 <sup>3</sup> / <sub>16</sub>	2 <sup>3</sup> / <sub>16</sub>
cm	6.4	5.6	5.6
E-Height in	19 <sup>3</sup> / <sub>8</sub>	22 <sup>9</sup> / <sub>16</sub>	24 <sup>9</sup> / <sub>16</sub>
cm	49.2	57.3	62.4
Electrical	500 watts 4.1 amps	1000 watts 8.3 amps	1500 watts 12.5 amps
Weight	9 lb 4.1 kg	13 lb 5.9 kg	16 lb 7.3 kg

FOB Richfield, Wisconsin 53076

NSF Listed as a rethermalization unit to ensure food is quickly heated to a safe temperature before bacteria has an opportunity to grow.

## CAD Library

Individual CAD images can be downloaded from product pages on our web site. We are also a member of The KCL CADalog with more than 100 other manufacturers. Our complete collection of CAD files can be purchased through Kochman Consultants, Ltd. at [kclcad.com](http://kclcad.com).

