



# COLD FOOD HOLDERS {BAR COMBO'S} STAINLESS STEEL PUMPS

Models **SB-2, SB-2 DI**  
**SB-3, SB-3 DI**  
**SB-4, SB-4 DI**

Date:

Project:

Quantity:

Item Number:

∅



**SB-2 DI 79950**

## Bid Description

Insulated serving bars are constructed of a stainless steel exterior with a one-piece seamless plastic interior. Serving Bars can be cooled with ice, (1) Eutectic Ice Pack (94141) per jar or use our deep fountain HOLDCOLD™ jars (not included).

Pump combination models come complete with multiples of: deep polypropylene fountain jars (82557) and CP-F (83330) pumps. Choose from countertop or drop-in models.

Stainless steel CP-F condiment pumps feature a rugged cast valve body and welded construction. Maximum stroke yields 1¼ ounce (37 mL) with gauging collars supplied to reduce yield in ¼ ounce (7 mL) increments.

∅



**SB-3 DI 83860**

## Standard Features

Stainless steel exterior, seamless plastic interior, and insulation

Maximum stroke yields 1¼ ounce (37 mL) increments

Stainless steel hinged lid attaches to lid in a snap

Colored, engraved knobs to identify contents are available upon request

## Bar Combo's with Pumps

<u>Includes</u>	<u>Countertop</u>	<u>Drop-In</u>
(2) jars	SB-2 79890	SB-2 DI 79950
(3) jars	SB-3 83790	SB-3 DI 83860
(4) jars	SB-4 83700	SB-4 DI 83720

∅



**SB-4 83700**

## Serving Bar - Base Only

To put together your own combination, choose a base unit from below and components from the Bar & Rail Accessory sheet.

<u>Accepts</u>	<u>Countertop</u>	<u>Drop-In</u>
(2) jars	SB-2 80160	SB-2 DI 80150
(3) jars	SB-3 83760	SB-3 DI 83830
(4) jars	SB-4 83600	SB-4 DI 83620



## Warranty

Server Products equipment is backed by a two-year limited warranty against defects in materials and workmanship. For our complete warranty statement, see our web site or contact us.



∅ THIN    ● THICK    ●●● PARTICULATE  
See category tab for details.

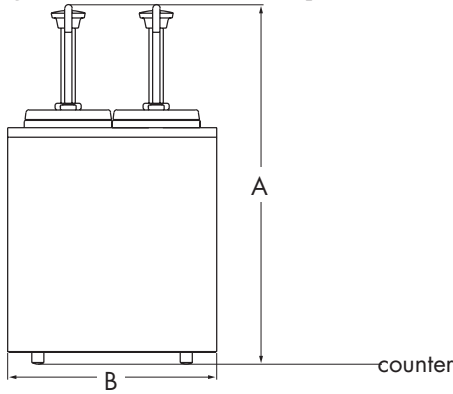
Specifications on reverse side



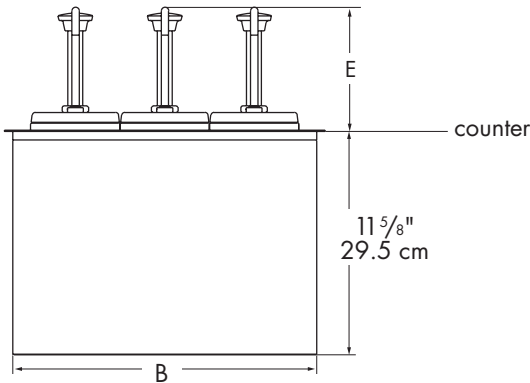
# COLD FOOD HOLDERS {BAR COMBO'S} STAINLESS STEEL PUMPS

Models **SB-2, SB-2 DI**  
**SB-3, SB-3 DI**  
**SB-4, SB-4 DI**

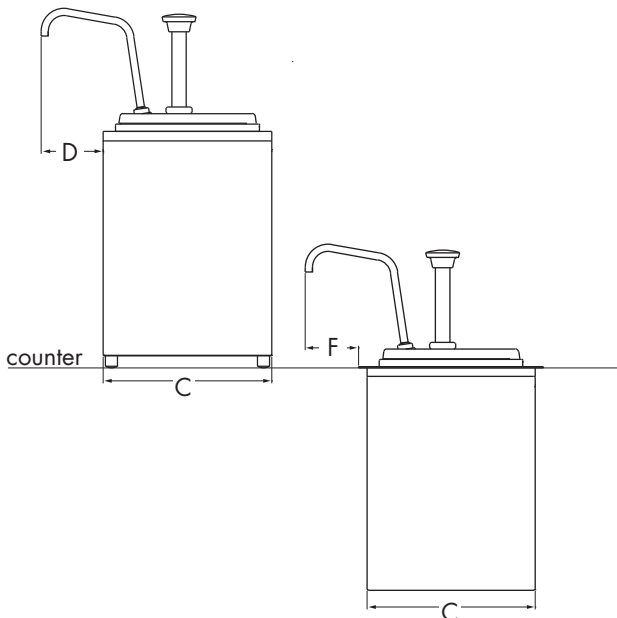
## Serving Bar—Counter-top



## Serving Bar—Drop-In



## Serving Bar—Counter-top & Drop-in



## Specifications

Construction	Stainless steel exterior, seamless plastic interior, and insulation.		
Jar Capacity	Shallow	Deep	HOLDCOLD™
	2 qt 1.9 L	3 1/2 qt 3.3 L	2 1/4 qt 2.1 L
<b>Counter-Top</b>	<b>(2) Jar</b>	<b>(3) Jar</b>	<b>(4) Jar</b>
A-Height	in 19 3/8 cm 49.2	in 19 3/8 cm 49.2	in 19 3/8 cm 49.2
B-Width	in 10 7/8 cm 27.6	in 15 1/2 cm 39.4	in 20 1/8 cm 51.1
C-Depth	in 8 13/16 cm 22.4	in 8 13/16 cm 22.4	in 8 13/16 cm 22.4
D-Spout {Depth}	in 3 1/4 cm 8.3	in 3 1/4 cm 8.3	in 3 1/4 cm 8.3
<b>Drop-In</b>	<b>(2) Jar</b>	<b>(3) Jar</b>	<b>(4) Jar</b>
E-Height	in 6 7/16 cm 16.4	in 6 7/16 cm 16.4	in 6 7/16 cm 16.4
B-Width	in 10 7/8 cm 27.6	in 15 1/2 cm 39.4	in 20 1/8 cm 51.1
C-Depth	in 8 13/16 cm 22.4	in 8 13/16 cm 22.4	in 8 13/16 cm 22.4
F-Spout {Depth}	in 2 13/16 cm 7.1	in 2 13/16 cm 7.1	in 2 13/16 cm 7.1
Cutout Size			
SB-2 DI	11 x 8 7/8" (27.9 x 22.5 cm)		
SB-3 DI	15 5/8 x 8 7/8" (39.7 x 22.5 cm)		
SB-4 DI	20 1/4 x 8 7/8" (51.4 x 22.5 cm)		

FOB Richfield, Wisconsin 53076

## CAD Library

Individual CAD images can be downloaded from product pages on our web site. We are also a member of The KCL CADalog with more than 100 other manufacturers. Our complete collection of CAD files can be purchased through Kochman Consultants, Ltd. at [kclcad.com](http://kclcad.com).

