



Condiment Units Condiment Pumps

Models CP-1/6, CP-1/4, CP-1/3,
CP-1/2 DL, CP-5, CP-6 1/2,
CP-8 1/2, CP-10 1/2

Date:

Project:

Quantity:

Item Number:



CP-1/3 #83430



CP-1/2 DL #83480



CP-8 1/2 #83220

Bid Description

Constructed of stainless steel, each condiment pump features a rugged cast valve body and welded construction. Maximum stroke yields 1-ounce (30 mL) with gauging collars supplied to reduce yield in 1/4-ounce (7 mL) increments. Steam table pans or vegetable insets are not included.

The CP-1/6, 1/4, 1/3, and CP-1/2 DL pumps are designed to fit directly on the corresponding standard size steam table pan.

Each of the CP-5, 6 1/2, 8 1/2, and 10 1/2 pumps are designed to fit directly on a standard size vegetable inset. Knob is black.

Standard Features

Durable stainless steel construction

Maximum stroke yields 1-ounce (30 mL)

Easy-to-adjust portion control in 1/4-ounce (7 mL) increments

Two cleaning brushes included for pump maintenance

Colored, engraved knobs to identify flavors are available upon request. For options, contact customer service.

Condiment Dispenser Accessories

- 1/6 size, 6" (15.2 cm) deep pan #90089
- 1/4 size, 6" (15.2 cm) deep pan #90086
- 1/3 size, 6" (15.2 cm) deep pan #90083
- 5" (12.7 cm) vegetable inset #81066
- 6 1/2" (16.5 cm) vegetable inset #81031
- 8 1/2" (21.6 cm) vegetable inset #84031
- 10 1/2" (26.7 cm) vegetable inset #84131
- Spout-side cleaning brush #82526
- Cylinder-side cleaning brush #82049



Warranty



Server Products equipment is backed by a two-year limited warranty against defects in materials and workmanship. For our complete warranty statement, see our website or contact us.

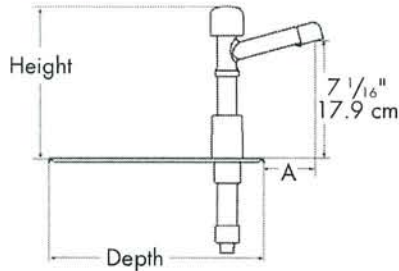
Specifications on reverse side



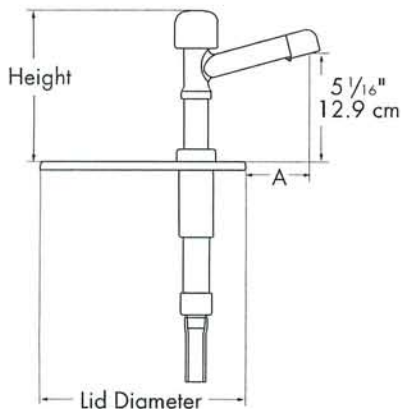
Condiment Units Condiment Pumps

Models CP-1/6, CP-1/4, CP-1/3,
CP-1/2 DL, CP-5, CP-6 1/2,
CP-8 1/2, CP-10 1/2

Pumps for: Steam Table Pans— PS-1/6, PS-1/4 and PS-1/3



Product Containers— PS-6 1/2, PS-8 1/2 and PS-10 1/2



Specifications

Construction Stainless steel pumps with rugged cast valve body and welded construction.

Dimensions Measurements are shown above pan or inset.

Models	CP-1/6 #83400	CP-1/4 #83420	CP-1/3 #83430	CP-1/2 DL #83480
Capacity	2.7 qt 2.6 L	4.5 qt 4.3 L	6.1 qt 5.8 L	10 qt 9.5 L
Width	in 6 7/16 cm 17.5	in 6 5/8 cm 16.8	in 7 1/8 cm 18.1	in 6 9/16 cm 16.7
Depth	in 7 1/16 cm 17.9	in 10 1/2 cm 26.7	in 13 1/16 cm 33.2	in 20 15/16 cm 53.2
Ship Weight	3 lb 1.4 kg	4 lb 1.8 kg	4 lb 1.8 kg	7 lb 3.2 kg

Models	CP-5 #83920	CP-6 1/2 #83200	CP-8 1/2 #83220	CP-10 1/2 #83240
Capacity	2.5 qt 2.4 L	4 qt 3.8 L	7 qt 6.6 L	11 qt 10.4 L
Dim. A	in 3 5/8 cm 9.2	in 2 11/16 cm 6.8	in 2 3/4 cm 7	in 2 3/4 cm 7
Lid	in 5 5/8	in 7 9/16	in 9 9/16	in 11 3/8
Dia.	cm 14.3	cm 19.2	cm 24.3	cm 28.9
Cutout	in 5	in 6 1/2	in 8 1/2	in 10 1/2
Dia.*	cm 12.7	cm 16.5	cm 21.6	cm 26.7
Ship Weight	3 lb 1.4 kg	3 lb 1.4 kg	4 lb 1.8 kg	5 lb 2.3 kg

* Dimension varies according to inset mfg.

Option CP-8 1/2 Lockable #83910. Fits a 7 qt. (6.6 L) inset the same as CP-8 1/2, except includes a hold down screw on the lid.

FOB Richfield, Wisconsin 53076

CAD Library

We are a member of The KCL CADalog with more than 100 other manufacturers. Our CAD files can be purchased through Kochman Consultants, Ltd. at 847-470-1195, or e-mail sales@kclcad.com. Their website is at www.kclcad.com.



Server Products, Inc. • P.O. Box 98 • Richfield, WI 53076 • Toll Free: 800-558-8722
P: 262-628-5600 • F: 262-628-5110 • spsales@server-products.com • www.server-products.com

Server Products, Inc. reserves the right to modify specifications without obligation. Printed in USA

5-2006/3M Stock 02003