



PUMPS {STAINLESS STEEL} FOOD CONTAINER DISPENSERS

Models CP-10
CP-G

Date:

Project:

Quantity:

Item Number:



CP-10 83000



CP-G 83120



THIN THICK PARTICULATE
See category tab for details.

Bid Description

The CP-10 and CP-G model condiment pumps are designed with a rugged cast stainless steel valve body and welded construction. Each pump from a manufacturer's food container with a maximum stroke yield of 1 ounce (30 mL). Gauging collars are supplied to reduce yield in 1/4 ounce (7 mL) increments. Pictured jars and/or containers not included. Standard pump knob is black.

The CP-10 is designed to pump condiments directly from a manufacturer's #10 can or Server Products Stainless Steel Jar 94009.

The CP-G pumps condiments directly from a manufacturer's 1 gallon (3.8 L) jar. The stainless steel lid threads directly on an 89, 110 or 120 mm jar opening.

Standard Features

Durable, stainless steel construction

Pump directly from standard food containers

Maximum stroke yields 1 ounce (30 mL)

Easy-to-adjust portion control in 1/4 ounce (7 mL) increments

Two cleaning brushes included for pump maintenance

Colored, engraved knobs to identify flavors are available upon request (contact our customer service department)

Condiment Dispenser Accessories

- Stainless Steel Jar 94009
- Stainless Steel Jar Storage Lid 94008



Warranty

Server Products equipment is backed by a two-year limited warranty against defects in materials and workmanship.

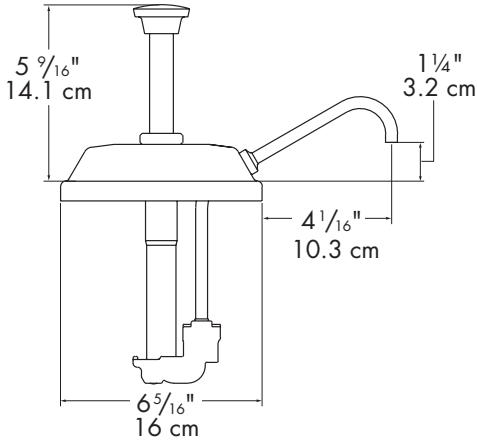
For our complete warranty statement, see our web site or contact us.



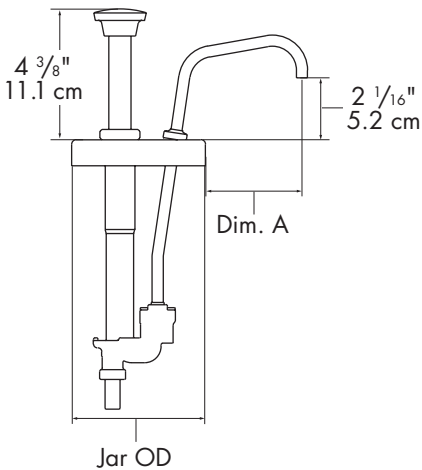
PUMPS {STAINLESS STEEL} FOOD CONTAINER DISPENSERS

Models CP-10
CP-G

Condiment Pump CP-10 83000



CP-G 83130, 83120 & 83110



Specifications

Models	CP-10 83000	CP-G 89 83130	CP-G 110 83120	CP-G 120 83110
Height in (above jar)	5 ⁹ / ₁₆	4 ³ / ₈	4 ³ / ₈	4 ³ / ₈
Height cm	14.1	11.1	11.1	11.1
Lid Dia. CP-10	6 ⁵ / ₁₆	3 ¹ / ₂	4 ³ / ₈	4 ³ / ₄
Jar OD CP-G	16	8.9	11.1	12.1
Dim. A in	4 ¹ / ₁₆	3 ¹ / ₂	3 ¹ / ₂	3 ¹ / ₁₆
Dim. A cm	10.3	8.9	8.3	7.8
Capacity	3 quart 2.8 L	1 gallon 3.8 L	1 gallon 3.8 L	1 gallon 3.8 L
Weight	3 lb (1.4 kg)			

FOB Richfield, Wisconsin 53076

CAD Library

Individual CAD images can be downloaded from product pages on our web site. We are also a member of The KCL CADalog with more than 100 other manufacturers. Our complete collection of CAD files can be purchased through Kochman Consultants, Ltd. at kclcad.com.

