



# Condiment Units Condiment Dispensers

Models CP-10  
BP-1, CP-G

Date:

Project:

Quantity:

Item Number:



**CP-10 #83000**

## Bid Description

Condiment pumps feature a rugged cast stainless steel valve body and welded construction. Each pump from a manufacturer's food container with a maximum stroke yield of 1-ounce (30 mL). Gauging collars are supplied to reduce yield in 1/4-ounce (7 mL) increments. Pictured jars and/or containers not included.

The CP-10 is designed to pump condiments directly from a manufacturer's #10 can or Stainless Steel Jar #94009.

BP-1 #88000 is designed to pump directly from a manufacturer's 1-gallon (3.8 L) jar with a 38mm opening. The BP-1 #88010 fits the Heinz® Pour Store & Pump Jug. Black plastic lid threads onto the jug. BP-1 CROCK #88020 features a clear plastic lid that fits a standard 2.7-quart (2.6-L) salad crock.

The CP-G is designed to pump condiments directly from a manufacturer's 1-gallon (3.8 L) jar. A stainless steel lid rests over jar threads.



**BP-1 #88000 & #88010**

## Standard Features

Durable, stainless steel construction

Pump directly from standard food containers

Maximum stroke yields 1-ounce (30 mL)

Easy-to-adjust portion control in 1/4-ounce (7 mL) increments

Two cleaning brushes included for pump maintenance

Colored, engraved knobs to identify flavors are available upon request (except BP-1). Contact our customer service department.



**BP-1 CROCK  
#88020**

**CP-G  
#83120**

## Condiment Dispenser Accessories

- Stainless Steel Jar #94009
- Stainless Steel Jar, Lid #94008



## Warranty

Server Products equipment is backed by a two-year limited warranty against defects in materials and workmanship.

For our complete warranty statement, see our Website or contact us.

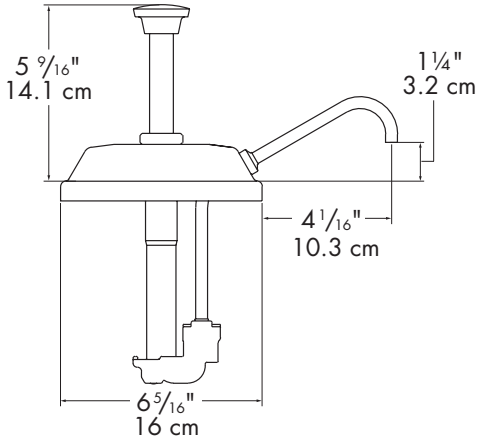




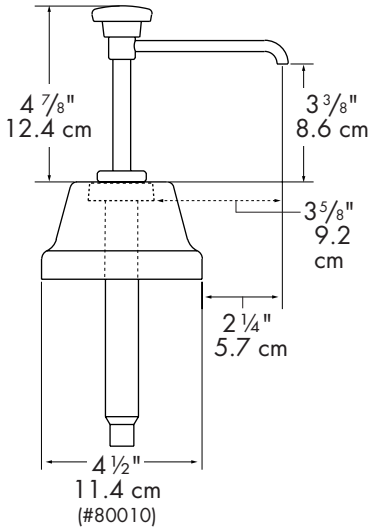
# Condiment Units Condiment Dispensers

Models CP-10  
BP-1, CP-G

## Condiment Pump CP-10 #83000



## BP-1 #88000 & #88010



## Specifications

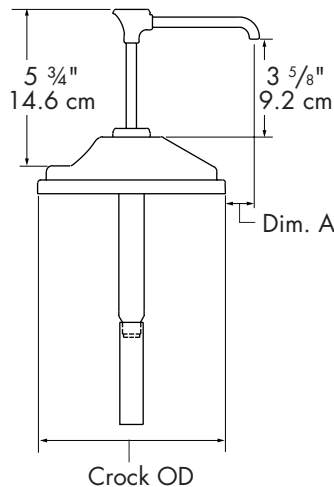
Models	CP-10 #83000	BP-1 #88000	BP-1 #88010	BP-1 CROCK #88020
Height in (above jar) cm	5 9/16 14.1	4 7/8 12.4	4 7/8 12.4	5 3/4 14.6
Lid Dia. in (or opening) cm	6 5/16 16	— 38mm	4 1/2 11.4	6 7/8 17.5
Dim. A in cm	4 1/16 10.3	3 5/8 9.2	2 1/4 5.7	1 1/16 2.7
Capacity	3-quart 2.8 L	1-gallon 3.8 L	1-gallon 3.8 L	2.7-quart 2.6 L
Ship Wt. lb kg	4 1.8	2 .9	3 1.4	2 .9

Models	CP-G 89 #83130	CP-G 110 #83120	CP-G 120 #83110
Height in (above jar) cm	4 3/8 11.1	4 3/8 11.1	4 3/8 11.1
Fits Jar OD in cm	3 1/2 8.9	4 3/8 11.1	4 3/4 12.1
Dim. A in cm	3 7/16 8.7	3 3/16 8.1	3 7.6

Capacity 1-gallon (3.8 L)  
Ship Weight 3 lb (1.4 kg)

FOB Richfield, Wisconsin 53076

## BP-1 #88020



## CP-G #83130, #83120 & #83110

