



# Topping Equip./Food Servers Food Server/Cooker

Model FS-2

Date:

Project:

Quantity:

Item Number:



**FS-2 #82700**



US LISTED

ALSO AVAILABLE FOR EXPORT

NSF certified as a rethermalization unit

## Bid Description

All stainless steel construction with a polished finish. The FS-2 comes complete with an exclusive 1 1/2-quart (1.4 L) Bowl #82707, 1-ounce (30 mL) Ladle #82717 and lift-off lid.

The adjustable, precalibrated thermostat controls a 250 watt heating element. Temperature settings are marked on the thermostat knob. Power is controlled with an ON/OFF rocker switch.

The FS-2 will heat frozen product to serving temperature. NSF-certified as a rethermalization unit.

## Standard Features

All stainless steel construction for durability

Lift-off lid is shaped to cover ladle (opening) and protect product

Water fill line eliminates overflow accidents

250 watt heating element for reliable heating and holding

NSF-certified as a rethermalization unit

Adjustable precalibrated thermostat for accurate heat control

Temperature marks on knob with protective knob guard

Exclusive 1 1/2-quart (1.4 L) stainless steel bowl

1-ounce (30 mL) ladle to serve product

## Food Server/Cooker Accessories

1 1/2-quart (1.4 L) Stainless Steel Bowl #82707

1-ounce (30 mL) 4" (10.2 cm) Ladle #82717



## Warranty

Server Products equipment is backed by a two-year limited warranty against defects in materials and workmanship. For our complete warranty statement, see our Website or contact us.

Specifications on reverse side

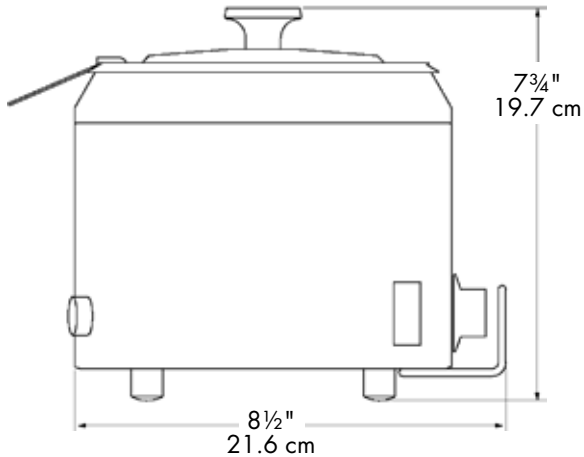
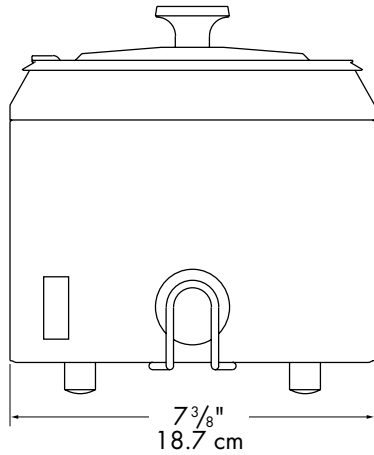


# Topping Equip./Food Servers

## Food Server/Cooker

Model FS-2

### Food Server/Cooker FS-2 #82700



### Specifications

<b>Model</b>	<b>FS-2 #82700</b>		
<b>Construction</b>	All stainless steel with a polished finish. Complete with 1 1/2-qt (1.4 L) bowl, 1-oz (30 mL) 4" (10.2 cm) ladle and lift-off lid.		
<b>Capacity</b>	1 1/2-quart (1.4 L) capacity		
<b>Dimensions</b>	<u>Height</u>	<u>Width</u>	<u>Depth</u>
	in 7 <sup>3</sup> / <sub>4</sub>	7 <sup>3</sup> / <sub>8</sub>	8 <sup>1</sup> / <sub>2</sub>
	cm 19.7	18.7	21.6
<b>Electrical</b>	120V, 60Hz, 250W, 2.1A 72 in (183 cm) cord set NEMA 5-15P, 15A, 125V PLUG		
<b>Ship Weight</b>	6 lb (2.7 kg)		

FOB Richfield, Wisconsin 53076

### CAD Library

We are a member of The KCL CADalog with more than 100 other manufacturers. Our CAD files can be purchased through Kochman Consultants, Ltd. at 847-470-1195, or e-mail sales@kclcad.com. Their website is at www.kclcad.com.

