



FOOD WARMERS {HOT TOPPING} ROUND WARMERS

Models FS, FSP
SBW

Date:

Project:

Quantity:

Item Number:



FS 82500

Bid Description

All stainless steel construction with a polished finish. An adjustable, precalibrated thermostat controls the 500 watt heating element. Temperature settings are marked on thermostat knob. Power is controlled with an ON/OFF rocker switch.

FS & FSP water bath models dispense from a stainless steel jar (94009) or #10 can (not included). SBW includes (3) 16 oz (.47 L) bottles.

FS comes complete with lift-off lid and 1 oz (30 mL), 10" (25.4 cm) ladle (82561).

The FSP features a stainless steel pump with rugged cast valve body and welded construction. Maximum stroke yields 1 oz (30 mL) with gauging collars to reduce yield in 1/4 oz (7 mL) increments.

The SBW, Signature Touch™ is an FS base with a drop-in bottle holder and (3) 16 oz (.47 L) high-density squeeze bottles. This model safely heats your plating toppings.



FSP 82060

Standard Features

Pump on FSP is designed to prevent loss of valve balls with a maximum stroke of 1 oz (30 mL)

500 watt heating element for reliable heating and holding

Adjustable precalibrated thermostat for accurate heat control

FS & FSP models dispense from Stainless Steel Jar or #10 can

SBW squeeze bottle model provides safe heating while keeping your toppings handy for plating

Signature Touch™ (SBW) includes (3) 16 oz (.47 L) squeeze bottles



**SBW 86810
Signature Touch™**

Hot Topping Equipment Accessories

- 3 qt (2.8 L) Stainless Steel Jar 94009
- Stainless Steel Jar Storage Lid 94008
- Squeeze Bottle, 16 oz (.47 L) 86809



US LISTED

ALSO AVAILABLE
FOR EXPORT

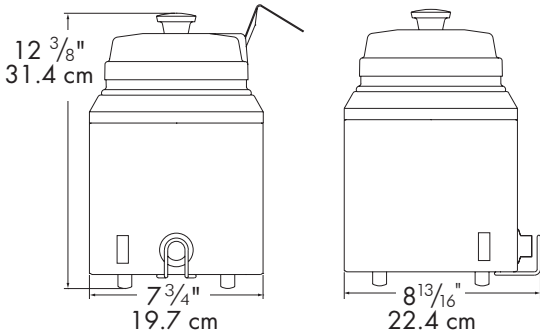
Specifications on reverse side



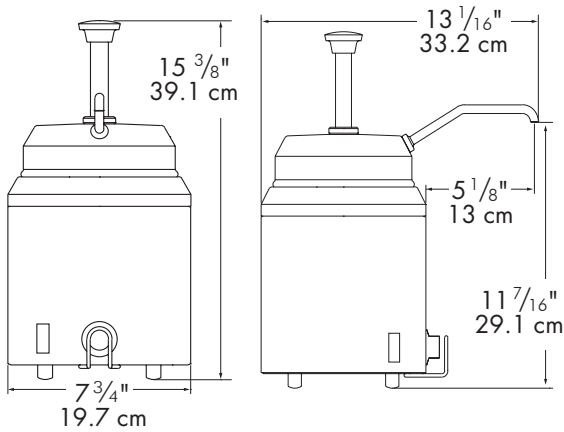
FOOD WARMERS {HOT TOPPING} ROUND WARMERS

Models FS, FSP
SBW

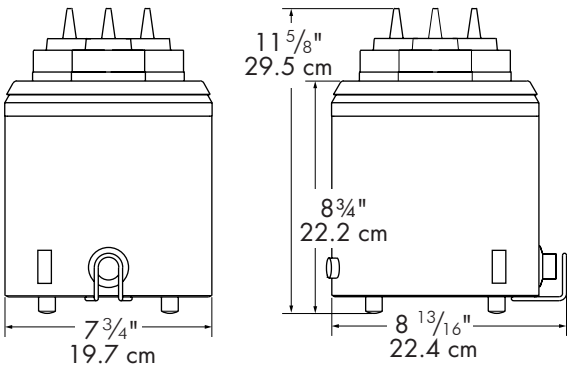
Fudge Server FS 82500



Fudge Server with Pump FSP 82060



Signature Touch™ Topping Warmer SBW 86810



Specifications

Construction	All stainless steel with a polished finish. FS includes lift-off lid with ladle; FSP is with stainless steel pump; SBW includes drop-in bottle holder with (3) squeeze bottles.
Electrical	120V, 60Hz, 500W, 4.2A 72" (183 cm) cord set NEMA 5-15P, 15A, 125V PLUG

Models	FS 82500	FSP 82060	SBW 86810
Height	12 3/8" 31.4	15 3/8" 39.1	11 5/8" 29.5
Width	7 3/4" 19.7	7 3/4" 19.7	7 3/4" 19.7
Depth	8 13/16" 22.4	13 1/16" 33.2	8 13/16" 22.4
Capacity	3 qt 2.8 L	3 qt 2.8 L	48 oz 1.4 L
Weight	8 lb 3.6 kg	9 lb 4.1 kg	8 lb 3.6 kg

FOB Richfield, Wisconsin 53076

NSF Listed as a rethermalization unit to ensure food is quickly heated to a safe temperature before bacteria has an opportunity to grow.

CAD Library

Individual CAD images can be downloaded from product pages on our web site. We are also a member of The KCL CADalog with more than 100 other manufacturers. Our complete collection of CAD files can be purchased through Kochman Consultants, Ltd. at kclcad.com.



Warranty

Server Products equipment is backed by a two-year limited warranty against defects in materials and workmanship. For our complete warranty statement, see our web site or contact us.

