



Topping Equipment Syrup Pumps

Models **SP**
SP-3

Date:

Project:

Quantity:

Item Number:



SP #82000



SP-3 #85320



Bid Description

The SP and SP-3 pumps dispense from a manufacturer's food container with a maximum stroke yield of 1-ounce (30 mL). Gauging collars are supplied to reduce the yield in 1/4-ounce (7 mL) increments. Each pump is constructed of stainless steel featuring a rugged cast valve body and welded construction.

The SP pump is designed to pump syrup directly from a manufacturer's #10 can. Your local jurisdiction may not permit dispensing directly from a #10 can in which case you can use our NSF approved Stainless Steel Jar #94009.

The SP-3 is designed to pump directly from a manufacturer's #5 can (7" or 17.8 cm high with a 4 1/4" 10.8 cm diameter).

Standard Features

Durable stainless steel construction

Pump directly from manufacturer's food container

Pump design prevents loss of valve balls

Maximum pump stroke yields 1-ounce (30 mL) with portion control in 1/4-ounce (7 mL) increments

Colored, engraved knobs to identify flavors are available at no additional charge. For options, contact customer service.

Cleaning brushes are included for pump maintenance

Srup Pump Accessories

3-quart (2.8 L) Stainless Steel Jar #94009

Stainless Steel Jar Lid #94008



Warranty

Server Products equipment is backed by a two-year limited warranty against defects in materials and workmanship. For our complete warranty statement, see our website or contact us.

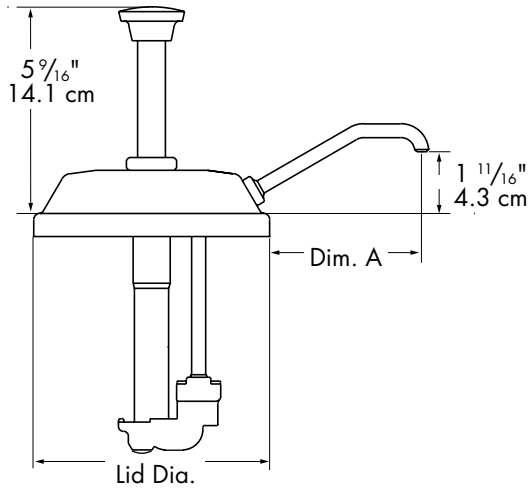
Specifications on reverse side



Topping Equipment Syrup Pumps

Models **SP**
SP-3

Server Pump SP #82000



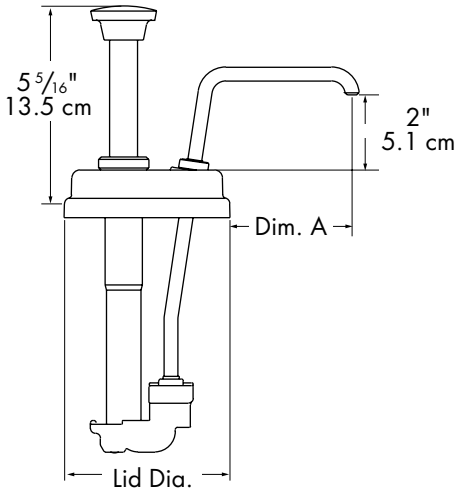
Specifications

Construction	Stainless steel pump with cast valve body and welded construction fits manufacturer's can.
Capacity	Stainless steel jar and manufacturer's #10 can holds 3-quarts (2.8 L). Manufacturer's #5 can hold 1½-quarts (1.4 L).

Models	SP #82000	SP-3 #85320
Height in (above jar) cm	5 5/16 14.1	5 5/16 13.5
Lid Dia. in cm	6 5/16 16	4 3/8 11.1
Dim. A in cm	4 1/8 10.5	3 5/16 8.4
Ship Weight	4 lb 1.8 kg	2 lb .9 kg

FOB Richfield, Wisconsin 53076

Server Pump SP-3 #85320



CAD Library

We are a member of The KCL CADalog with more than 100 other manufacturers. Our CAD files can be purchased through Kochman Consultants, Ltd. at 847-470-1195 or e-mail sales@kclcad.com. Their website is at www.kclcad.com.

