



PUMPS {SOLUTION™, PLASTIC} FOUNTAIN JAR PUMPS

Models PS-F
PS-200

Date:

Project:

Quantity:

Item Number:



PS-200 84060



THIN THICK PARTICULATE
See category tab for details.



Warranty

Server Products equipment is backed by a two-year limited warranty against defects in materials and workmanship. For our complete warranty statement, see our web site or contact us.

Bid Description

Server Solution™ pumps are designed to dispense a wide range of products from syrups to some relishes simply by choosing from the (3) discharge fittings (included). The polycarbonate pump parts are dishwasher safe and replaceable. Maximum stroke yields 1 ounce (30 mL) with gauging collars supplied to reduce yield in ¼ ounce (7 mL) increments. A pump and jar drop into a countertop or can be placed into a Syrup Rail or insulated Serving Bar.

The PS-F pumps from a standard deep fountain jar.
PS-200 pumps from a shallow fountain jar.

Standard Features

Durable polycarbonate construction

Dishwasher safe for easy clean up

Pump a wide range of products from syrups to relish

Maximum stroke yields 1 ounce (30 mL)

Easy-to-adjust portion control in ¼ ounce (7 mL) increments

(3) discharge fittings to accommodate various food products

(2) cleaning brushes included for pump maintenance

Server Solution™ Pump Accessories

- Fountain Jar, deep—Stainless Steel 82555
- Fountain Jar, deep—Polypropylene 82557
- Fountain Jar, shallow—Stainless Steel 82556
- Fountain Jar, shallow—Polypropylene 82558

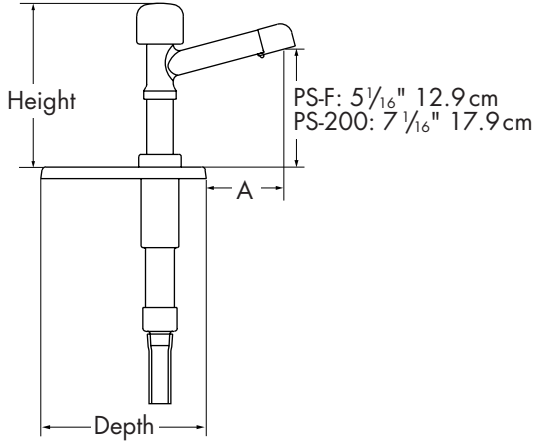
Specifications on reverse side



PUMPS {SOLUTION™, PLASTIC} FOUNTAIN JAR PUMPS

Models PS-F
PS-200

Fountain Jars—PS-F and PS-200



Specifications

Model	PS-F 81910			
Construction	Durable Polycarbonate, pump parts. Stainless steel lid fits a deep fountain jar.			
Capacity	Standard deep fountain jar has a 3½ quart (3.3 L) capacity.			
Dimensions (above jar)	<u>Height</u>	<u>Width</u>	<u>Depth</u>	<u>Dim. A</u>
	in 7 1/8	4 1/2	7 1/8	3 3/8
	cm 18.1	11.4	18.1	8.6
Weight	2 lb (.9 kg)			
Cutout Size	4 5/16 x 7 in (11 x 17.8 cm)			
Model	PS-200 84060			
	Same as above except:			
Construction	Fits a shallow fountain jar.			
Capacity	2 quart (1.9 L) capacity			
Dimensions (above jar)	<u>Height</u>	<u>Width</u>	<u>Depth</u>	<u>Dim. A</u>
	in 9 1/8	4 1/2	7 1/8	3 3/8
	cm 23.2	11.4	18.1	8.6

FOB Richfield, Wisconsin 53076

CAD Library

Individual CAD images can be downloaded from product pages on our web site. We are also a member of The KCL CADalog with more than 100 other manufacturers. Our complete collection of CAD files can be purchased through Kochman Consultants, Ltd. at kclcad.com.

