

**SERVER**

# Condiment Units Serving Station-Compact

Models RS-2C/RS-2RCNL  
RS-3NL/IRS-3R

Date:

Project:

Quantity:

Item Number:

**RS-2C/RS-2RCNL #67730****RS-3NL/IRS-3R #67800**

## Warranty

Server Products equipment is backed by a two-year limited warranty against defects in materials and workmanship. For our complete warranty statement, see our Website or contact us.

## Bid Description

Each serving station is constructed of stainless steel with a brushed (#4) finish. They're furnished with CP- $\frac{1}{6}$  stainless steel ketchup and mustard pumps and two- $\frac{1}{6}$  size pans, 6 in (15.2 cm) deep. Maximum stroke yields a 1-ounce (30 mL) portion. Gauging collars are supplied to reduce portions in  $\frac{1}{4}$ -ounce (7 mL) increments.

The Serving Station-Compact features a two-pan section in the front with a self-closing acrylic hinged lid over two- $\frac{1}{6}$  size pans, 6 in (15.2 cm) deep.

The Two-Tiered Serving Station features an insulated back rail with one- $\frac{1}{6}$  size and three- $\frac{1}{9}$  size pans, 4 in (10.2 cm) deep and is topped by an acrylic hinged lid. In addition to the pump section described above, this unit also includes a  $\frac{1}{6}$  size pan, 4 in (10.2 cm) deep between the pumps, four ladles, six Eutectic Ice Packs, and two serving tongs.

## Standard Features

Durable stainless steel construction with a brushed finish

Each include two CP- $\frac{1}{6}$  pumps and pans

Two-Tiered Serving Station also includes: 4 Ladles #82717, 6 Eutectic Ice Packs #94013, and 2 Tongs #67492

Acrylic hinged lid is easily removed for cleaning

Colored pump knobs engraved with ketchup and mustard

Maximum stroke yields 1-ounce (30 mL)

Easy-to-adjust portion control in  $\frac{1}{4}$ -ounce (7 mL) increments

## Serving Station Accessories

- $\frac{1}{6}$  size, 6 in (15.2 cm) deep pan #90089
- $\frac{1}{6}$  size, 4 in (10.2 cm) deep pan #90088
- $\frac{1}{9}$  size, 4 in (10.2 cm) deep pan #90106
- 1-ounce (30 mL), 4 in (10.2 cm) Ladle #82717
- Eutectic Ice Pack #94013
- Serving Tongs #67492

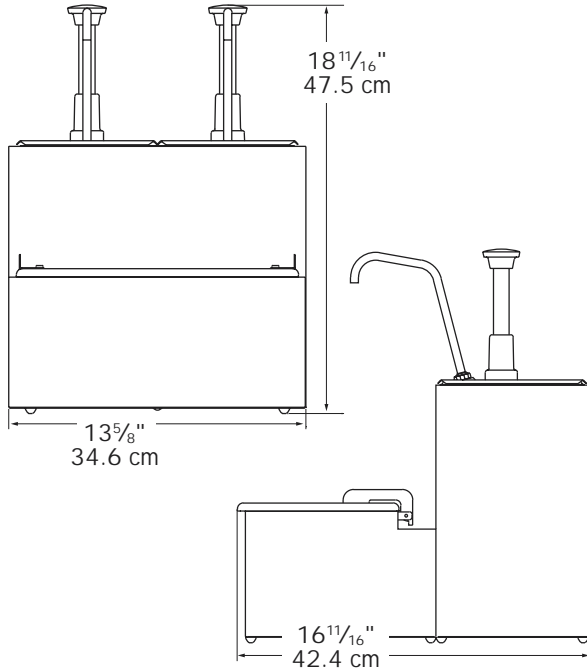
Specifications on reverse side

**SERVER**

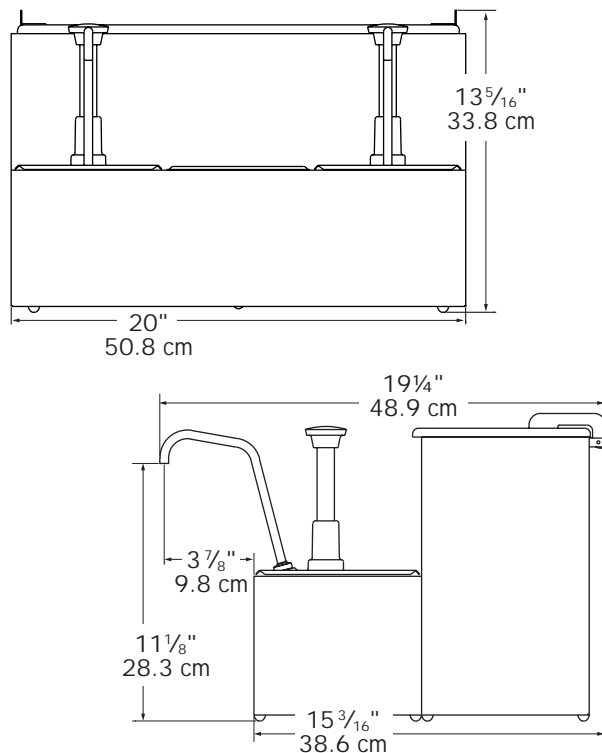
# Condiment Units Serving Station-Compact

Models RS-2C/RS-2RCNL  
RS-3NL/IRS-3R

## Serving Station-Compact RS-2C/RS-2RCNL #67730



## Two-Tier Serving Station RS-3NL/IRS-3R #67800



## Specifications

<b>Model</b>	<b>RS-2C/RS-2RCNL #67730</b>		
Construction	Stainless steel base with a brushed (#4) finish. Includes CP-1/6 pumps, 1/6 size pans, and an acrylic self-closing lid.		
Capacity	Each 1/6 size, 6 in (15.2 cm) deep pan holds 2.7 quarts (2.6 L).		
Dimensions	<u>Height</u>	<u>Width</u>	<u>Depth</u>
	in 18 11/16	13 5/8	16 11/16
	cm 47.5	34.6	42.4
Ship Weight	23 lb (10.4 kg)		
<b>Model</b>	<b>RS-3NL/IRS-3R #67800</b>		
Construction	Stainless steel base with a brushed (#4) finish. Includes CP-1/6 pumps, 1/6 and 1/9 size pans, acrylic lid, ladles, Eutectic Ice Packs, and tongs.		
Capacity	Each 1/6 size, 6 in (15.2 cm) deep pan holds 2.7 quarts (2.6 L). At 4 in (10.2 cm) deep it holds 1.8 quarts (1.7 L). Each 1/9 size, 4 in (10.2 cm) deep pan holds 1.1 quarts (1 L).		
Dimensions	<u>Height</u>	<u>Width</u>	<u>Depth</u>
	in 13 5/16	20	19 1/4
	cm 33.8	50.8	48.9
	Height with lid open: 19 7/16 in (49.4 cm)		
Ship Weight	38 lb (17.3 kg)		

FOB Richfield, Wisconsin 53076

## CAD Library

We are a member of The KCL CADalog with more than 100 other manufacturers. Our CAD files can be purchased through Kochman Consultants, Ltd. at 847-470-1195, or e-mail sales@kclcad.com. Their website is at www.kclcad.com.



Server Products, Inc. • P.O. Box 98 • Richfield, WI 53076 • Toll Free: 800-558-8722  
P: 262-628-5600 • F: 262-628-5110 • spsales@server-products.com • www.server-products.com

Server Products, Inc. reserves the right to modify specifications without obligation. Printed in U.S.A.

3-2003/4M Stock #02038