



Condiment Units Relish Servers

Models **IRS-3, IRS-2,
RS-3, 2PRS**

Date:

Project:

Quantity:

Item Number:



IRS-2 #67770



2PRS #85150



Warranty

Server Products equipment is backed by a two-year limited warranty against defects in materials and workmanship. For our complete warranty statement, see our Website our contact us.

Bid Description

Insulated relish servers are constructed of stainless steel with a brushed (#4) finish. Acrylic hinged lids cover and protect the contents. Each feature foamed-in-place polyurethane and hold 1/6 size pans up to 6 in (15.2 cm) deep. To keep contents cool longer, add ice or Eutectic Ice Packs #94013. The IRS-3 accepts three-1/6 size pans and three Eutectic Ice Packs. IRS-2 accepts two-1/6 size pans and two Eutectic Ice Packs. Pans and Eutectic Ice Packs are not included.

The RS-3 is similar to IRS-3 above, except not insulated.

Our latest Relish Server is the Two-Pan Relish server, 2PRS. It features a slanted design to take up minimal counter space. Constructed of stainless steel with a brushed (#4) finish. Includes two clear polycarbonate lids and 1/2-ounce (14-mL) spoons and two Server black ABS plastic pans. Pans hold 1-quart (.9 L) and are 4 in (10.2 cm) deep. Also available with self-closing lids.

Standard Features

- Durable, stainless steel construction with a brushed finish
- Clear lids cover and protect product while showing it off
- Insulated units can be iced or accept Eutectic Ice Pack #94013
- Foamed-in-place polyurethane insulation prevents condensation
- 2PRS takes up minimal counter space—great for creating or organizing a compact condiment area
- Lid slots on 2PRS allow spoon to remain covered in unit

Relish Server Accessories

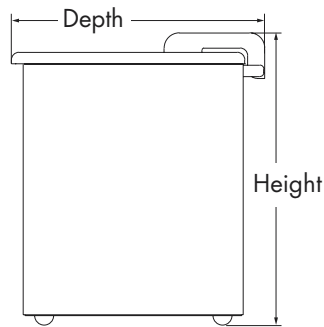
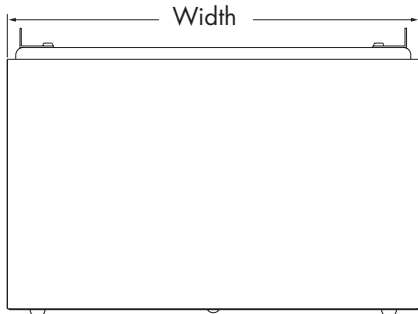
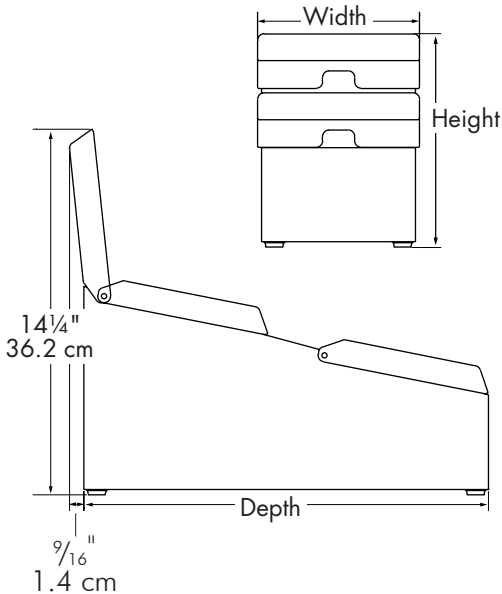
RS-3 and IRS-3 accept 3-1/6 size or 1-1/6 and 3-1/9 size pans
IRS-2 accepts 2-1/6 size or 3-1/9 size pans
2PRS accepts Server black ABS plastic pans only

- 1/6 size, 6 in (15.2 cm) deep pan #90089
- 1/6 size, 4 in (10.2 cm) deep pan #90088
- 1/9 size, 4 in (10.2 cm) deep pan #90106
- ABS plastic pan, 1-qt. (.9 L), 4 in (10.2 cm) deep #85151
- Eutectic Ice Pack, #94013

Specifications on reverse side

SERVER

Condiment Units Relish Servers

**Models IRS-3, IRS-2,
RS-3, 2PRS****Relish Servers IRS-3 #67080,
IRS-2 #67770, RS-3 #67050****Two-Pan Relish Server
2PRS #85150****Specifications**

Construction Stainless steel with a brushed (#4) finish. Acrylic hinged lid. 2PRS is stainless steel with a brushed (#4) finish and has ABS plastic pans and polycarbonate lids.

Pan Capacity 1/6 size, 6" (15.2 cm) deep: 2.7 qt (2.6 L)
2PRS, 4" (10.2 cm) deep: 1qt (.9 L)

Models	IRS-3 #67080	IRS-2 #67770	RS-3 #67050	2PRS #85150
Height	in 9 9/16 cm 24.3	in 9 9/16 cm 24.3	in 7 5/16 cm 23.2	in 8 5/16 cm 21.1
Width	in 20 cm 50.8	in 13 5/8 cm 34.6	in 20 cm 50.8	in 6 5/16 cm 16
Depth	in 8 3/8 cm 24.3	in 8 3/8 cm 24.3	in 8 3/8 cm 24.3	in 15 13/16 cm 40.2
Ship Weight	12 lb 5.4 kg	10 lb 4.5 kg	7 lb 3.2 kg	6 lb 2.7 kg

Height with lid(s) open:
 IRS-3 15 3/4 in (40 cm)
 IRS-2 15 3/4 in (40 cm)
 RS-3 13 7/16 in (34.1 cm)
 2PRS 14 1/4 in (36.2 cm)

Option 2PRS #85160, same as 2PRS above, except with self-closing lids.

FOB Richfield, Wisconsin 53076

CAD Library

We are a member of The KCL CADalog with more than 100 other manufacturers. Our CAD files can be purchased through Kochman Consultants, Ltd. at 847-470-1195, or e-mail sales@kclcad.com. Their website is at www.kclcad.com.



Server Products, Inc. • P.O. Box 98 • Richfield, WI 53076 • Toll Free: 800-558-8722
 Phone: 262-628-5600 • Fax: 262-628-5110 • pumps@execpc.com • www.server-products.com

Server Products, Inc. reserves the right to modify specifications without obligation. Printed in U.S.A.

8-2002/8M Stock #02046