



Condiment Units Server Express™

Models **SE-T, SET-DI**
SE-4, SE-4DI
SE-5, SE-5DI

Date:

Project:

Quantity:

Item Number:



SET-DI #07050



SE-4 #07200



Warranty

Server Products equipment is backed by a two-year limited warranty against defects in materials and workmanship. For a copy of our complete warranty statement, see our Website or contact us.

CAD Library

We are a member of The KCL CADalog with more than 100 other manufacturers. Our CAD files can be purchased through Kochman Consultants, Ltd. at 847-470-1195 or e-mail sales@kclcad.com. Their Website is at www.kclcad.com.

Bid Description

Server Express™ multiples are constructed of a brushed (#4) finish stainless steel base and lid with surgical-quality plastic, five-piece pumps. Dispensing levers are black polypropylene.

Capacity is 1½-gallons (or 6 L) per pouch. Pumps yield 1-ounce (30 mL) per stroke with portion control to reduce the yield in ¼-ounce (7 mL) increments. Exclusively uses Cryovac® pouches with fitment.

The Server Express™ System achieves up to 98% evacuation. Individual pouch supports keep each condiment pouch in place and aid in transporting and set up.

Server Express™ Triple (SE-T), Quadruple (SE-4) and Quintuple (SE-5) are designed for counter-top use. Use SET-DI, SE-4DI and SE-5DI for drop-in applications.

Standard Features

Pump several condiments from one space-saving unit

Holds 1½-gallon (or 6 L) Cryovac® pouches with fitment

Pumps are constructed of five surgical-quality plastic parts—quick to breakdown and completely dishwasher safe

Maximum stroke yields 1-ounce (30 mL)

Easy-to-adjust portion control in ¼-ounce (7 mL) increments

Two discharge tube fittings—black for ketchup and mustard, white for thicker products

Server Express™ Accessories

- Tapered Discharge Fitting #07119
- Replacement Pump #07044
- Triple Drip Tray Assembly #07295
- Quad Drip Tray Assembly #07324
- Quintuple Drip Tray Assembly #07299

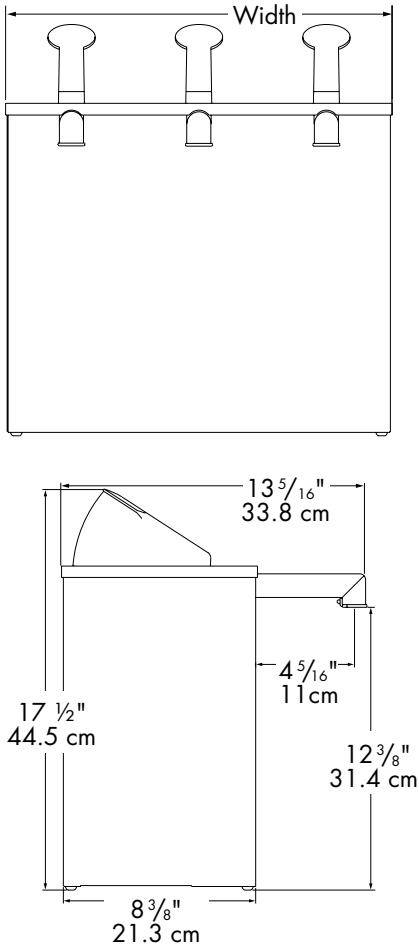
Specifications on reverse side



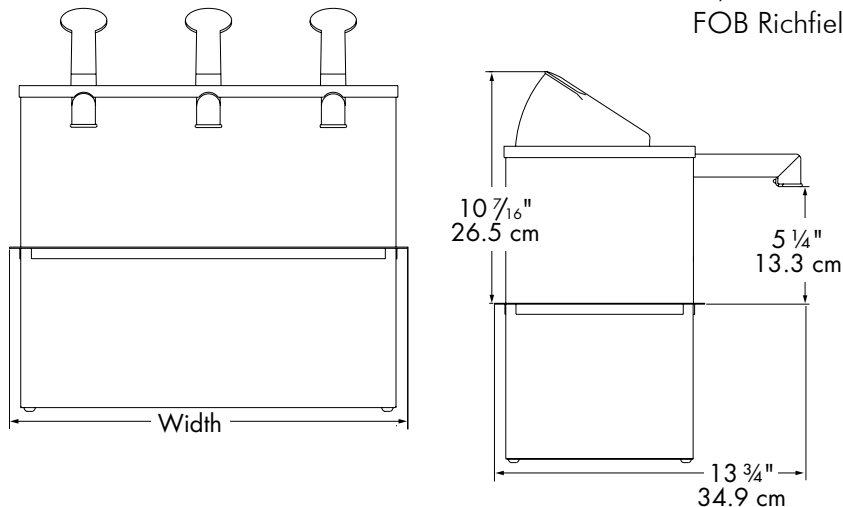
Condiment Units Server Express™

Models SE-T, SET-DI
SE-4, SE-4DI
SE-5, SE-5DI

Server Express™ – Countertop



Server Express™ – Drop-In



Specifications

Construction Brushed finish stainless steel base and lid, surgical-quality plastic pumps and black polypropylene levers.

Capacity 1 1/2-gallon (or 6 L) per pump section

Models	SE-T #07040	SE-4 #07200	SE-5 #07060
Height	in 17 1/2	in 17 1/2	in 17 1/2
	cm 44.5	cm 44.5	cm 44.5
Width	in 16 3/8	in 21 13/16	in 27 3/16
	cm 41.6	cm 55.4	cm 69.1
Depth	in 13 5/16	in 13 5/16	in 13 5/16
	cm 33.8	cm 33.8	cm 33.8
Ship Wt	lb 22	lb 28	lb 34
	kg 10	kg 12.7	kg 15.4

Models	SET-DI #07050	SE-4DI #07210	SE-5DI #07070
Height	in 10 7/16	in 10 7/16	in 10 7/16
	cm 26.5	cm 26.5	cm 26.5
Width	in 17 1/4	in 22 11/16	in 28 1/16
	cm 43.8	cm 57.6	cm 71.3
Depth	in 13 3/4	in 13 3/4	in 13 3/4
	cm 34.9	cm 34.9	cm 34.9
Ship Wt	lb 22	lb 28	lb 34
	kg 10	kg 12.7	kg 15.4

Cutout Size
SET-DI: 16 3/8" x 8 1/2" (41.6 x 21.6 cm)
SE-4DI: 21 13/16" x 8 1/2" (55.4 x 21.6 cm)
SE-5DI: 27 3/16" x 8 1/2" (69.1 x 21.6 cm)

Cryovac® is a registered trademark and a trade name of Cryovac Inc.
FOB Richfield, Wisconsin 53076

