



# FOOD WARMERS {FOOD SERVERS} BUTTER WARMER, MIX-N-SERVE™

Model MNS

Date:

Project:

Quantity:

Item Number:



**MNS 05550**



## Bid Description

The new Mix-N-Serve™ is designed for serving butter, hot chocolate, and other similar products that separate. It's constructed of stainless steel and black ABS plastic. To keep product uniform throughout the day, a magnetic agitator continuously stirs.

The adjustable thermostat holds product up to 170°F (77°C) and locks to prevent accidental changes. A 400 watt heating element heats product evenly without burning or scorching. Two ON/OFF lighted rocker switches control the heating element and stir mechanism.

The Mix-N-Serve™ includes a melting basket and removable 6 quart (5.7-L) stainless steel food vessel. Product is dispensed from a heavy duty, spigot style faucet.

## Standard Features

Durable stainless steel and plastic construction

6 quart (5.7-L) capacity

Removable food vessel for easy cleanup

Thermostat lock prevents accidental temperature changes

Magnetic agitator keeps product from separating

Independent control of heat and stir features



## Warranty

Server Products equipment is backed by a two-year limited warranty against defects in materials and workmanship. For a copy of our complete warranty statement, see our web site or contact us.

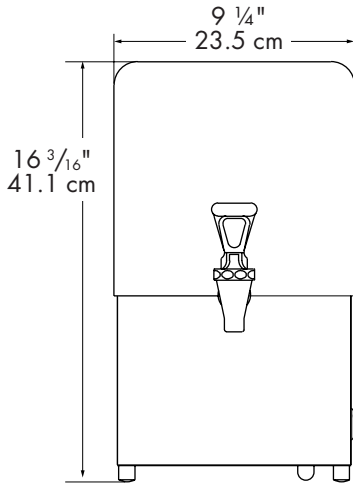
Specifications on reverse side



# FOOD WARMERS {FOOD SERVERS} BUTTER WARMER, MIX-N-SERVE™

Model MNS

## Mix-N-Serve™



## Specifications

Model	MNS 05550				
Construction	Stainless steel and black ABS plastic unit includes removable stainless steel food vessel.				
Capacity	6 quart (5.7-L)				
Dimensions	<u>Height</u>	<u>Width</u>	<u>Depth</u>	<u>Dim. A</u>	
	in	16 <sup>3</sup> / <sub>16</sub>	9 <sup>1</sup> / <sub>4</sub>	8 <sup>3</sup> / <sub>4</sub>	2 <sup>5</sup> / <sub>8</sub>
	cm	41.1	23.5	22.2	6.7
Electrical	120V, 60Hz, 450W, 3.8A 72 in (183 cm) cord set NEMA 5-15P, 15A, 125V PLUG				
Weight	20 lb (9.0 kg)				

FOB Richfield, Wisconsin 53076

## CAD Library

Individual CAD images can be downloaded from product pages on our web site. We are also a member of The KCL CADalog with more than 100 other manufacturers. Our complete collection of CAD files can be purchased through Kochman Consultants, Ltd. at [kclcad.com](http://kclcad.com).

