



Concession Equipment Butter Server Automatic

Model BSA

Date:

Project:

Quantity:

Item Number:



BSA #05000



Warranty

Server Products equipment is backed by a two-year limited warranty against defects in materials and workmanship. For our complete warranty statement, see our Website or contact us.

Bid Description

Butter Server Automatic is constructed of stainless steel with a brushed (#4) finish and a durable black plastic hinged lid. The trigger bar automatically dispenses portions of 4.5 mL. Unit comes complete with an exclusive 3½-quart (3.3 L) stainless steel bowl #05274 and an attention-grabbing, wrap-around graphic. Includes flavor decals to indicate Real Buttered Popcorn or Golden Flavored Popcorn. Base is now 3" (7.6 cm) taller to accommodate taller popcorn containers.

An adjustable precalibrated thermostat controls a 350 watt heating element. Temperature settings—marked on the name-plate—range from 85° F (30° C) to 185° F (85° C). Power is controlled with an ON/OFF rocker switch.

Standard Features

Trigger bar automatically dispenses accurate 4.5 mL portions for hands-free dispensing

Exclusive 3½-quart (3.3 L) stainless steel bowl

Adjustable precalibrated thermostat keeps butter at desired temperature and consistency

Now 3" (7.6 cm) taller for today's taller popcorn containers

350 watt heating element provides reliable heating and holding

Real Buttered Popcorn and Golden Flavored Popcorn decals

Cleaning brush is included for unit maintenance

Butter Server Automatic Accessories

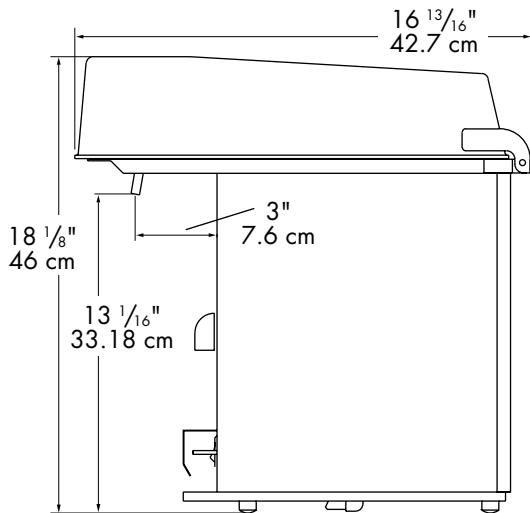
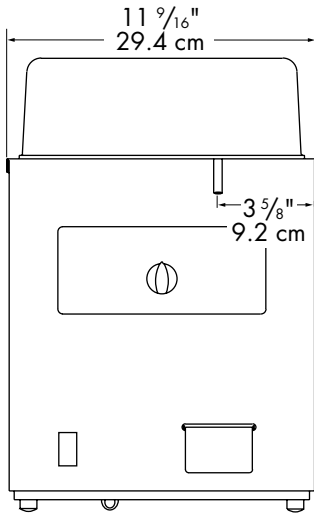
- 3½-quart (3.3 L) Stainless Steel Bowl #05274
- Cleaning Brush #82009



Concession Equipment Butter Server Automatic

Model BSA

Butter Server Automatic BSA #05000



Specifications

Model	BSA #05000												
Construction	Stainless steel with a brushed (#4) finish and a durable plastic hinged lid.												
Capacity	3½-quart (3.3 L) capacity												
Dimensions	<table border="1"> <thead> <tr> <th></th> <th>Height</th> <th>Width</th> <th>Depth</th> </tr> </thead> <tbody> <tr> <td>in</td> <td>18 1/8</td> <td>11 9/16</td> <td>16 13/16</td> </tr> <tr> <td>cm</td> <td>46</td> <td>29.4</td> <td>42.7</td> </tr> </tbody> </table>		Height	Width	Depth	in	18 1/8	11 9/16	16 13/16	cm	46	29.4	42.7
	Height	Width	Depth										
in	18 1/8	11 9/16	16 13/16										
cm	46	29.4	42.7										
Electrical	120V, 60Hz, 375W, 3.1 A 72 in (183 cm) cord set NEMA 5-15P, 15A, 125V PLUG												
Ship Weight	29 lb (13.2 kg)												

FOB Richfield, Wisconsin 53076

CAD Library

We are a member of The KCL CADalog with more than 100 other manufacturers. Our CAD files can be purchased through Kochman Consultants, Ltd. at 847-470-1195 or e-mail sales@kclcad.com. Their website is at www.kclcad.com.

